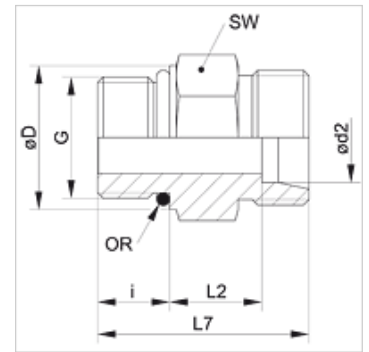


Omadused

| | |
|----------------------|---------------------------------------|
| Ühendus 1 | Meetriline väliskeere, silindriline |
| Tihenditüüp 1 | F-vorm |
| Ühendus 2 | M-keere välis, silindriline |
| Tihenditüüp 2 | 24° sisekoonus |
| Tüüp | Sissekeeratav liitmik . |
| Ehitustüüp | Sirge |
| Tavaline | ISO 8434-1 |
| Komplektis | Liitmik (ilma mutri ja lõikurrõngata) |
| Materjal | Teras |
| Pinnatöötlus | galvaniseeritud |



Vihje

Viiteid monteerimise, paigaldamise, survetugevuse ja lubatud töötemperatuuride kohta leiate toruühenduste tehnilisest juhendist.

Artikkel

| Märgistus | Ehitusseeria | Töörõhk bar | Ø d2 (mm) | G | Ø D (mm) | i (mm) | L2 (mm) | L7 (mm) | SW (mm) | OR |
|------------------|--------------|-------------|-----------|------------|----------|--------|---------|---------|---------|------------|
| XVMO 04 LL | LL | PN 100 | 4 | M 8 x 1 | 10,8 | 6,5 | 9,5 | 20,0 | 11 | 6,1 x 1,6 |
| XVMO 04 LL 10 | LL | PN 100 | 4 | M 10 x 1 | 12,8 | 6,5 | 9,5 | 20,0 | 13 | 8,0 x 1,5 |
| XVMO 06 LL | LL | PN 100 | 6 | M 10 x 1 | 12,8 | 6,5 | 8,0 | 20,0 | 13 | 8,0 x 1,5 |
| XVMO NW 04 HL | L | PN 250 | 6 | M 10 x 1 | 14,0 | 8,5 | 8,5 | 24,0 | 14 | 8,0 x 1,5 |
| XVMO NW 06 HL | L | PN 250 | 8 | M 12 x 1,5 | 17,0 | 11,0 | 10,0 | 28,0 | 17 | 9,3 x 2,4 |
| XVMO NW 08 HL | L | PN 250 | 10 | M 14 x 1,5 | 19,0 | 11,0 | 11,0 | 29,0 | 19 | 11,3 x 2,4 |
| XVMO NW 10 HL | L | PN 250 | 12 | M 16 x 1,5 | 22,0 | 11,5 | 12,5 | 31,0 | 22 | 13,3 x 2,4 |
| XVMO NW 10 HL 18 | L | PN 315 | 12 | M 18 x 1,5 | 24,0 | 12,0 | 12,5 | 31,5 | 24 | 15,3 x 2,4 |
| XVMO NW 13 HL | L | PN 250 | 15 | M 18 x 1,5 | 24,0 | 12,5 | 13,5 | 33,0 | 24 | 15,3 x 2,4 |
| XVMO NW 13 HL 22 | L | PN 315 | 15 | M 22 x 1,5 | 27,0 | 13,0 | 15,0 | 35,0 | 27 | 19,3 x 2,4 |
| XVMO NW 16 HL | L | PN 160 | 18 | M 22 x 1,5 | 27,0 | 13,0 | 14,5 | 35,0 | 27 | 19,3 x 2,4 |
| XVMO NW 20 HL | L | PN 160 | 22 | M 26 x 1,5 | 31,0 | 16,0 | 17,5 | 41,0 | 41 | 23,3 x 2,4 |
| XVMO NW 20 HL 27 | L | PN 160 | 22 | M 27 x 2 | 32,0 | 16,0 | 16,5 | 40,0 | 32 | 23,6 x 2,9 |
| XVMO NW 25 HL | L | PN 100 | 28 | M 33 x 2 | 41,0 | 16,0 | 17,5 | 41,0 | 41 | 29,5 x 3,0 |
| XVMO NW 32 HL | L | PN 100 | 35 | M 42 x 2 | 50,0 | 16,0 | 17,5 | 44,0 | 50 | 38,0 x 3,0 |
| XVMO NW 40 HL | L | PN 160 | 42 | M 48 x 2 | 55,0 | 17,5 | 19,0 | 47,5 | 55 | 44,6 x 3,0 |
| XVMO NW 03 HS | S | PN 630 | 6 | M 12 x 1,5 | 17,0 | 11,0 | 13,0 | 31,0 | 17 | 9,3 x 2,4 |
| XVMO NW 04 HS | S | PN 630 | 8 | M 14 x 1,5 | 19,0 | 11,0 | 15,0 | 33,0 | 19 | 11,3 x 2,4 |
| XVMO NW 06 HS | S | PN 630 | 10 | M 16 x 1,5 | 22,0 | 12,5 | 15,0 | 35,0 | 22 | 13,3 x 2,4 |
| XVMO NW 08 HS | S | PN 630 | 12 | M 18 x 1,5 | 24,0 | 14,0 | 17,0 | 38,5 | 24 | 15,3 x 2,4 |
| XVMO NW 13 HS | S | PN 400 | 16 | M 22 x 1,5 | 27,0 | 15,0 | 18,5 | 42,0 | 27 | 19,3 x 2,4 |
| XVMO NW 16 HS | S | PN 400 | 20 | M 27 x 2 | 32,0 | 18,5 | 20,5 | 19,5 | 32 | 23,5 x 3,0 |
| XVMO NW 20 HS | S | PN 400 | 25 | M 33 x 2 | 41,0 | 18,5 | 23,0 | 53,5 | 41 | 29,5 x 3,0 |
| XVMO NW 25 HS | S | PN 250 | 30 | M 42 x 2 | 50,0 | 19,0 | 23,5 | 56,0 | 50 | 38,0 x 3,0 |
| XVMO NW 32 HS | S | PN 315 | 38 | M 48 x 2 | 55,0 | 21,5 | 26,0 | 63,5 | 55 | 46,7 x 2,8 |

Ehitusseeria: LL = väga kerge L = kerge S = raske – PN = nimirõhk PB = maks. töörõhk – Ø d2 = toru välisläbimõõt

Toote variandid

VMO Sissekeeratav ühendus, Teras