

W90 AN HN

Sissekeeratav liitmik, nurk 90°

HANSA FLEX

Omadused

Ühendus 1 NPT-mutrikeere (NPSM)

Tihenditüüp 1 60° väliskoonus

Ühendus 2 NPT-väliskeere

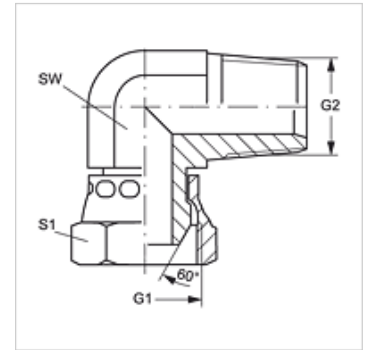
Tihenditüüp 2 keermestihend

Tüüp Sissekeeratav liitmik

Ehitustüüp Nurk 90°

Materjal Teras

Pinnatöötlus galvaniseeritud



Artikkel

Märgistus	G1	G2	SW (mm)	S1
W90 AN 02 HN	1/8" -27 NPT	1/8" -27 NPT	11	14
W90 AN 04 HN 02	1/4" -18 NPT	1/8" -27 NPT	14	18
W90 AN 04 HN	1/4" -18 NPT	1/4" -18 NPT	14	18
W90 AN 04 HN 06	1/4" -18 NPT	3/8" -18 NPT	19	18
W90 AN 04 HN 08	1/4" -18 NPT	1/2" -14 NPT	19	18
W90 AN 06 HN 04	3/8" -18 NPT	1/4" -18 NPT	19	22
W90 AN 06 HN	3/8" -18 NPT	3/8" -18 NPT	19	22
W90 AN 06 HN 08	3/8" -18 NPT	1/2" -14 NPT	22	22
W90 AN 06 HN 12	3/8" -18 NPT	3/4" -14 NPT	25	22
W90 AN 08 HN 06	1/2" -14 NPT	3/8" -18 NPT	22	25
W90 AN 08 HN	1/2" -14 NPT	1/2" -14 NPT	22	25
W90 AN 08 HN 12	1/2" -14 NPT	3/4" -14 NPT	27	25
W90 AN 12 HN 08	3/4" -14 NPT	1/2" -14 NPT	27	32
W90 AN 12 HN	3/4" -14 NPT	3/4" -14 NPT	27	32
W90 AN 12 HN 16	3/4" -14 NPT	1" -11,5 NPT	33	32
W90 AN 16 HN 12	1" -11,5 NPT	3/4" -14 NPT	33	38
W90 AN 16 HN	1" -11,5 NPT	1" -11,5 NPT	33	38
W90 AN 20 HN	1.1/4" -11,5 NPT	1.1/4" -11,5 NPT	41	48
W90 AN 20 HN 24	1.1/4" -11,5 NPT	1.1/2" -11,5 NPT	48	48
W90 AN 24 HN	1.1/2" -11,5 NPT	1.1/2" -11,5 NPT	48	54
W90 AN 32 HN	2" -11,5 NPT	2" -11,5 NPT	64	67

SW, S1, S2 = võtme suurus