

W90 HB

Ühendus, nurk 90°

HANSA FLEX

Omadused

Ühendus 1 BSP-väliskeere, silindriline

Tihenditüüp 1 60° sisekoonus

Ühendus 2 BSP-väliskeere, silindriline

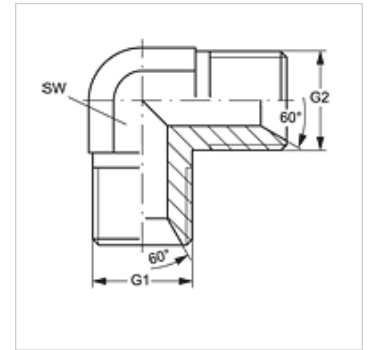
Tihenditüüp 2 60° sisekoonus

Tüüp Ühendus

Ehitustüüp Nurk 90°

Materjal Teras

Pinnatöötlus galvaniseeritud



Artikkel

| Märgistus | G1 | G2 | SW (mm) |
|-----------------|--------------|--------------|------------|
| W90 HB 02 | G 1/8" -28 | G 1/8" -28 | 11 |
| W90 HB 04 HB 02 | G 1/4" -19 | G 1/8" -28 | 14 |
| W90 HB 04 | G 1/4" -19 | G 1/4" -19 | 14 |
| W90 HB 06 HB 04 | G 3/8" -19 | G 1/4" -19 | 19 |
| W90 HB 06 | G 3/8" -19 | G 3/8" -19 | 19 |
| W90 HB 08 HB 06 | G 1/2" -14 | G 3/8" -19 | 22 |
| W90 HB 08 | G 1/2" -14 | G 1/2" -14 | 22 |
| W90 HB 10 | G 5/8" -14 | G 5/8" -14 | 22 |
| W90 HB 12 HB 08 | G 3/4" -14 | G 1/2" -14 | 27 |
| W90 HB 12 | G 3/4" -14 | G 3/4" -14 | 27 |
| W90 HB 16 HB 12 | G 1" -11 | G 3/4" -14 | 33 |
| W90 HB 16 | G 1" -11 | G 1" -11 | 33 |
| W90 HB 20 HB 16 | G 1.1/4" -11 | G 1" -11 | 41 |
| W90 HB 20 | G 1.1/4" -11 | G 1.1/4" -11 | 41 |
| W90 HB 24 | G 1.1/2" -11 | G 1.1/2" -11 | 50 |
| W90 HB 32 | G 2" -11 | G 2" -11 | 55 |

SW = võtme suurus

Toote variandid

W90 HB VA Ühendusliitmik, nurk 90°, Roostevaba teras