

W90 HN HJ

Sissekeeratav liitmik, nurk 90°

HANSA FLEX

Omadused

Ühendus 1 NPT-väliskeere

Tihenditüüp 1 Keermestihend

Ühendus 2 UN/UNF-väliskeere

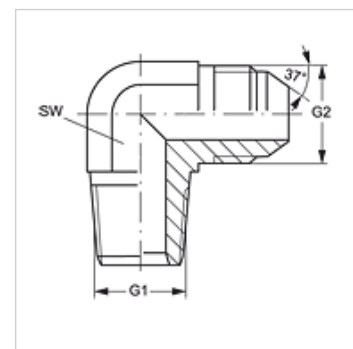
Tihenditüüp 2 74° väliskoonus

Tüüp Sissekeeratav liitmik

Ehitustüüp Nurk 90°

Materjal Teras

Pinnatöötlus galvaniseeritud



Artikkel

| Märgistus | G1 | G2 | SW (mm) |
|-----------------|------------------|----------------|------------|
| W90 HN 02 HJ | 1/8" -27 NPT | 5/16" -24 UN | 8 |
| W90 HN 02 HJ 04 | 1/8" -27 NPT | 7/16" -20 UNF | 11 |
| W90 HN 02 HJ 05 | 1/8" -27 NPT | 1/2" -20 UNF | 13 |
| W90 HN 02 HJ 06 | 1/8" -27 NPT | 9/16" -18 UNF | 14 |
| W90 HN 04 HJ | 1/4" -18 NPT | 7/16" -20 UNF | 14 |
| W90 HN 04 HJ 05 | 1/4" -18 NPT | 1/2" -20 UNF | 14 |
| W90 HN 04 HJ 06 | 1/4" -18 NPT | 9/16" -18 UNF | 14 |
| W90 HN 04 HJ 08 | 1/4" -18 NPT | 3/4" -16 UNF | 19 |
| W90 HN 06 HJ 04 | 3/8" -18 NPT | 7/16" -20 UNF | 19 |
| W90 HN 06 HJ | 3/8" -18 NPT | 9/16" -18 UNF | 19 |
| W90 HN 06 HJ 05 | 3/8" -18 NPT | 1/2" -20 UNF | 19 |
| W90 HN 06 HJ 08 | 3/8" -18 NPT | 3/4" -16 UNF | 19 |
| W90 HN 06 HJ 10 | 3/8" -18 NPT | 7/8" -14 UNF | 22 |
| W90 HN 08 HJ 04 | 1/2" -14 NPT | 7/16" -20 UNF | 22 |
| W90 HN 08 HJ | 1/2" -14 NPT | 3/4" -16 UNF | 22 |
| W90 HN 08 HJ 05 | 1/2" -14 NPT | 1/2" -20 UNF | 19 |
| W90 HN 08 HJ 06 | 1/2" -14 NPT | 9/16" -18 UNF | 22 |
| W90 HN 08 HJ 10 | 1/2" -14 NPT | 7/8" -14 UNF | 22 |
| W90 HN 08 HJ 12 | 1/2" -14 NPT | 1.1/16" -12 UN | 27 |
| W90 HN 12 HJ | 3/4" -14 NPT | 1.1/16" -12 UN | 27 |
| W90 HN 12 HJ 06 | 3/4" -14 NPT | 9/16" -18 UNF | 27 |
| W90 HN 12 HJ 08 | 3/4" -14 NPT | 3/4" -16 UNF | 27 |
| W90 HN 12 HJ 10 | 3/4" -14 NPT | 7/8" -14 UNF | 27 |
| W90 HN 12 HJ 14 | 3/4" -14 NPT | 1.3/16" -12 UN | 31 |
| W90 HN 12 HJ 16 | 3/4" -14 NPT | 1.5/16" -12 UN | 33 |
| W90 HN 16 HJ | 1" -11,5 NPT | 1.5/16" -12 UN | 33 |
| W90 HN 16 HJ 12 | 1" -11,5 NPT | 1.1/16" -12 UN | 33 |
| W90 HN 16 HJ 20 | 1" -11,5 NPT | 1.5/8" -12 UN | 41 |
| W90 HN 20 HJ 16 | 1.1/4" -11,5 NPT | 1.5/16" -12 UN | 45 |
| W90 HN 20 HJ | 1.1/4" -11,5 NPT | 1.5/8" -12 UN | 45 |
| W90 HN 20 HJ 24 | 1.1/4" -11,5 NPT | 1.7/8" -12 UN | 48 |
| W90 HN 24 HJ 20 | 1.1/2" -11,5 NPT | 1.5/8" -12 UN | 48 |
| W90 HN 24 HJ | 1.1/2" -11,5 NPT | 1.7/8" -12 UN | 48 |
| W90 HN 32 HJ | 2" -11,5 NPT | 2.1/2" -12 UN | 64 |

SW = võtme suurus

Toote variandid

W90 HN HJ VA Sissekeeratav liitmik, nurk 90°, Roostevaba teras