

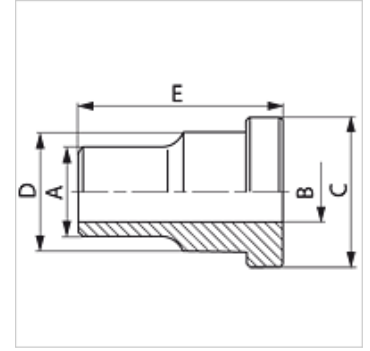
G VKS ST 250

Nelikantflants, Cetop, eelkeevitatav detail

HANSA FLEX

Omadused

Tüüp	Nelikantflants Cetop
Ehitustüüp	Sirge
Tavaline	CETOP RP 63H ISO 6164
Materjal	S355J2G3 (ST52.3)
Pinnatöötlus	must, õlitatud



Artikkel

Märgistus	Surve PB (bar)	Ehitussuurus	A (mm)	Ø B (mm)	C (mm)	D (mm)	E (mm)
G VKS 38 ST 250	250	3/8"	18	12,5	24,5	18,0	30
G VKS 12 ST 250	250	1/2"	22	15,0	30,2	24,0	30
G VKS 34 ST 250	250	3/4"	28	20,0	38,1	31,5	35
G VKS 1 ST 250	250	1"	35	25,0	44,4	38,0	40
G VKS 114 ST 250	250	1.1/4"	43	32,0	50,8	43,0	45
G VKS 112 ST 250	250	1.1/2"	50	38,0	60,3	50,0	50
G VKS 2 ST 250	250	2"	62	47,0	71,4	62,0	60
G VKS 212 ST 250	250	2.1/2"	76	58,0	87,2	76,0	70
G VKS 3 ST 250	250	3"	90	70,0	101,6	90,0	80
G VKS 312 ST 250	250	3.1/2"	102	80,0	119,0	102,0	90
G VKS 4 ST 250	250	4"	114	90,0	131,0	114,0	105

PN = nimirõhk PB = maks. töö rõhk - Ehitusseeria: LL = väga kerge L = kerge S = raske