

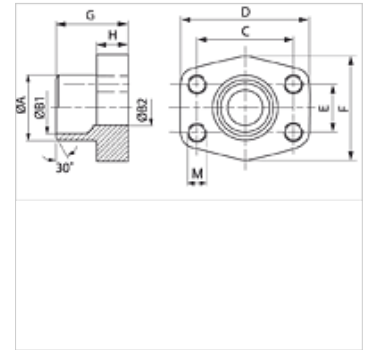
GFS SRE (3000 / 6000 PSI)

SAE pealekeevitatav flantsivastus

HANSA FLEX

Omadused

Tavaline	SAE J 518 C ISO 6162
Ehitustüüp	Sirge
Tüüp	SAE külgekeevitatav flantsivastus
Paigaldus	Sisekeere meerilisele poldile
Materjal	S355J2G3 (ST52.3)
Pinnatöötlus	must, õlitatud



Vihje

Antud maksimaalne töörohk kehtib flantsi kohta! Tegelik töörohu määrab toru (seinatugevus) ja toru omadustest!

Artikkel

Märgistus	PB 10.9 (bar)	Ehitussuurus	Toru	A (mm)	B1 (mm)	B2 (mm)	G (mm)	C (mm)	D (mm)	E (mm)	F (mm)	H (mm)	M meetrit
GFS 80 SRE 20	350	1/2"	20 x 3	20	14,0	14	35,0	38,1	54	17,5	46	16,0	M 8
GFS 80 SRE 22	350	1/2"	22 x 3	22	16,0	13	35,0	38,1	54	17,5	46	16,0	M 8
GFS 100 SRE 25	350	3/4"	25 x 3	25	19,0	19	36,0	47,6	65	22,2	50	18,0	M 10
GFS 100 SRE 28	350	3/4"	28 x 3	28	21,5	19	36,0	47,6	65	22,2	50	18,0	M 10
GFS 102 SRE 30	315	1"	30 x 4	30	22,0	22	38,0	52,4	70	26,2	55	18,0	M 10
GFS 102 SRE 35	315	1"	35 x 4	35	27,0	25	38,0	52,4	70	26,2	55	18,0	M 10
GFS 104 SRE 38	250	1.1/4"	38 x 4	38	30,0	30	41,0	58,7	79	30,2	68	21,0	M 10
GFS 104 SRE 42	250	1.1/4"	42 x 3	43	36,0	31	41,0	58,7	79	30,2	68	21,0	M 10
GFS 106 SRE 38	200	1.1/2"	38 x 4	38	30,0	30	44,0	69,9	93	35,7	78	25,0	M 12
GFS 106 SRE 42	200	1.1/2"	42 x 3	42	36,0	36	44,0	69,9	93	35,7	78	25,0	M 12
GFS 106 SRE 48	200	1.1/2"	48,3 x 4,5	49	38,0	38	44,0	69,9	93	35,7	78	25,0	M 12
GFS 108 SRE 60	200	2"	60,3 x 5,6	61	49,0	49	45,0	77,8	102	42,9	90	25,0	M 12
GFS 110 SRE 76	160	2.1/2"	76,1 x 7,1	77	62,0	62	50,0	88,9	114	50,8	105	25,0	M 12
GFS 112 SRE 76	138	3"	76,1 x 7,1	77	62,0	62	51,0	106,4	134	61,9	125	26,0	M 16
GFS 401 SRE 20	400	1/2"	20 x 3	20	14,0	14	34,0	40,5	54	18,2	46	16,0	M 8
GFS 402 SRE 20	400	3/4"	20 x 3	20	14,0	14	35,0	50,8	71	23,8	55	21,0	M 10
GFS 402 SRE 25	400	3/4"	25 x 4	25	17,0	17	35,0	50,8	71	23,8	55	21,0	M 10
GFS 403 SRE 25	400	1"	25 x 4	25	17,0	17	42,0	57,2	81	27,8	65	25,0	M 12
GFS 403 SRE 30	400	1"	30 x 4	30	22,0	22	42,0	57,2	81	27,8	65	25,0	M 12
GFS 404 SRE 30	400	1.1/4"	30 x 4	30	22,0	22	44,0	66,7	95	31,8	78	25,0	M 14
GFS 404 SRE 38	400	1.1/4"	38 x 6	38	26,0	26	44,0	66,7	95	31,8	78	25,0	M 14
GFS 405 SRE 38	400	1.1/2"	38 x 6	38	26,0	26	56,0	79,4	112	36,5	94	28,0	M 16
GFS 405 SRE 48	400	1.1/2"	48,3 x 8	49	32,0	32	56,0	79,4	112	36,5	94	28,0	M 16
GFS 405 SRE 60	400	1.1/2"	60,3 x 10	61	40,0	40	56,0	79,4	112	36,5	94	28,0	M 16
GFS 406 SRE 60	400	2"	60,3 x 10	61	40,0	40	65,0	96,8	134	44,5	114	33,0	M 20
GFS 406 SRE 76	400	2"	76,1 x 12,5	76	48,0	48	80,0	96,8	134	44,5	114	33,0	M 20

PN = nimirõhk PB = maks. töörohk