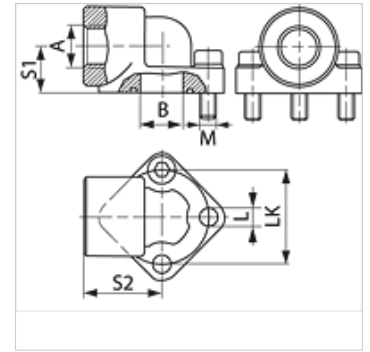


Omadused

Tüüp	Pumba flants (3 auguga)
Ehitustüüp	Nurk 90°
Paigaldus	M-keermega poldi komplektiga
Komplektis	M-keermega poldi komplekti ja O-rõngaga
Materjal	Teras ST 42.3
Pinnatöötlus	galvaniseeritud



Artikkel

Märgistus	Surve PB (bar)	LK (mm)	A	B (mm)	S1 (mm)	S2 (mm)	L (mm)	Poldid	OR
WDS 0.5 12	315	26	G 1/2" -14	11,0	17	24	5,3	(3 x) M 5 x 20	14,00 x 1,78
WDS 0.5 38	315	26	G 3/8" -19	11,0	17	24	5,3	(3 x) M 5 x 20	14,00 x 1,78
WDS 1 12	315	30	G 1/2" -14	12,0	17	24	6,3	(3 x) M 6 x 20	15,88 x 2,62
WDS 1 38	315	30	G 3/8" -19	12,0	17	24	6,3	(3 x) M 6 x 20	15,88 x 2,62
WDS 2 12	315	40	G 1/2" -14	19,0	21	36	8,5	(3 x) M 8 x 25	23,81 x 2,62
WDS 2 34	315	40	G 3/4" -14	19,0	21	36	8,5	(3 x) M 8 x 25	23,81 x 2,62
WDS 3 100	315	51	G 1" -11	24,0	26	45	10,5	(3 x) M 10 x 30	31,42 x 2,62
WDS 3 34	315	51	G 3/4" -14	26,0	26	45	10,5	(3 x) M 10 x 30	31,42 x 2,62
WDS 3 B 100	315	56	G 1" -11	26,0	26	45	10,5	(3 x) M 10 x 30	31,42 x 2,62
WDS 3 B 34	315	56	G 3/4" -14	26,0	26	45	10,5	(3 x) M 10 x 30	31,42 x 2,62

PN = nimirõhk PB = maks. töörihk