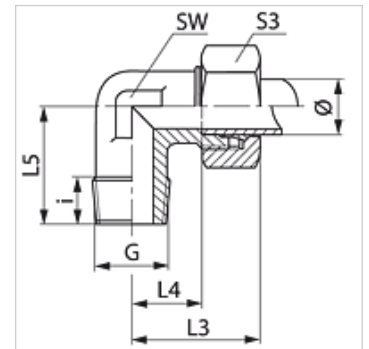


Omadused	
Ühendus 1	NPT-väliskeere
Tihenditüüp 1	Keermestihend
Ühendus 2	M-keere välis, silindriline
Tihenditüüp 2	24° sisekoonus
Tüüp	Sissekeeratav liitmik .
Ehitustüüp	Nurk 90°
Tavaline	DIN 2353 ISO 8434-1
Komplektis	Torumutri ja lõikurrõngaga liitmik
Materjal	Teras
Pinnatöötlus	galvaniseeritud



Vihje

Viiteid monteerimise, paigaldamise, survetugevuse ja lubatud töötemperatuuride kohta leiate toruühenduste tehnilisest juhendist.

Artikkel

Märgistus	Ehitusseeria	Töörõhk bar	Toru välimine Ø (mm)	G	i (mm)	L3 (mm)	L4 (mm)	L5 (mm)	SW (mm)	S3
WN 04 LL	LL	PN 100	4	1/8" -27 NPT	7,0	21	11,0	17	9	10
WN 05 LL	LL	PN 100	5	1/8" -27 NPT	8,0	21	11,0	18	11	10
WN 06 LL	LL	PN 100	6	1/8" -27 NPT	10,0	21	9,5	17	9	12
WN 08 LL	LL	PN 100	8	1/8" -27 NPT	10,0	21	9,5	17	12	14
WN NW 04 HL	L	PN 315	6	1/8" -27 NPT	10,0	27	12,0	20	12	14
WN NW 04 HL 1/4	L	PN 315	6	1/4" -18 NPT	12,0	29	14,0	26	12	14
WN NW 04 HL 1/2	L	PN 315	6	1/2" -14 NPT	17,0	38	23,0	34	19	14
WN NW 06 HL	L	PN 315	8	1/4" -18 NPT	12,0	29	14,0	26	12	17
WN NW 06 HL 3/8	L	PN 315	8	3/8" -18 NPT	15,2	23	11,5	20	12	17
WN NW 06 HL 1/2	L	PN 315	8	1/2" -14 NPT	17,5	30	15,0	26	12	17
WN NW 08 HL	L	PN 315	10	1/4" -18 NPT	14,0	30	15,0	27	14	19
WN NW 08 HL 3/8	L	PN 315	10	3/8" -18 NPT	15,2	30	15,0	27	14	19
WN NW 10 HL	L	PN 315	12	3/8" -18 NPT	12,5	32	17,0	28	17	22
WN NW 10 HL 1/4	L	PN 315	12	1/4" -18 NPT	14,0	32	17,0	28	17	22
WN NW 10 HL 1/2	L	PN 315	12	1/2" -14 NPT	19,0	38	23,0	34	19	22
WN NW 13 HL	L	PN 315	15	1/2" -14 NPT	18,5	36	21,0	34	19	27
WN NW 13 HL 3/8	L	PN 315	15	3/8" -18 NPT	13,0	36	21,0	34	19	27
WN NW 16 HL	L	PN 315	18	1/2" -14 NPT	20,0	40	23,5	36	24	32
WN NW 16 HL 3/4	L	PN 315	18	3/4" -14 NPT	18,5	40	23,5	40	24	32
WN NW 20 HL	L	PN 160	22	3/4" -14 NPT	18,5	44	27,5	42	27	36
WN NW 25 HL	L	PN 160	28	1" -11,5 NPT	24,0	47	30,5	48	36	41
WN NW 32 HL	L	PN 160	35	1.1/4" -11,5 NPT	25,5	56	34,5	54	41	50
WN NW 40 HL	L	PN 160	42	1.1/2" -11,5 NPT	26,0	63	40,0	61	50	60
WN NW 03 HS	S	PN 630	6	1/4" -18 NPT	12,0	31	16,0	26	12	17
WN NW 04 HS	S	PN 630	8	1/4" -18 NPT	15,0	32	17,0	27	14	19
WN NW 06 HS	S	PN 630	10	3/8" -18 NPT	12,0	34	17,5	28	17	22
WN NW 08 HS	S	PN 630	12	3/8" -18 NPT	12,5	38	21,5	28	17	24
WN NW 10 HS	S	PN 630	14	1/2" -14 NPT	18,0	40	22,0	34	19	27
WN NW 13 HS	S	PN 400	16	1/2" -14 NPT	19,0	43	24,5	36	24	30
WN NW 13 HS 3/4	S	PN 400	16	3/4" -14 NPT	20,0	43	25,0	40	24	30
WN NW 16 HS	S	PN 400	20	3/4" -14 NPT	20,0	48	26,6	42	27	36
WN NW 20 HS	S	PN 400	25	1" -11,5 NPT	24,0	54	30,0	48	36	46
WN NW 25 HS	S	PN 400	30	1.1/4" -11,5 NPT	25,5	62	35,5	54	41	50
WN NW 32 HS	S	PN 315	38	1.1/2" -11,5 NPT	26,0	72	41,0	61	50	60

PN = nimirõhk PB = maks. töörõhk – Ehitusseeria: LL = väga kerge L = kerge S = raske – Ø = toru välisläbimõõt

Toote variandid

WN MG	Sissekeeratav ühendus, nurk 90°, Messing
WN VA	Sissekeeratav ühendus, nurk 90°, Roostevaba teras
XWN	Sissekeeratav liitmik, nurk 90°, Teras