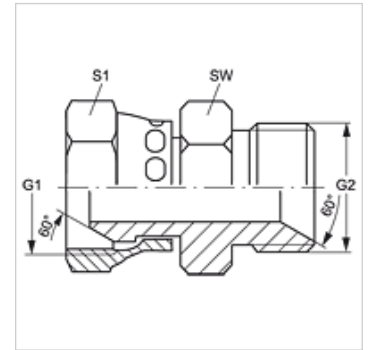


G AB HB VA

Ühendus

Omadused

Ühendus 1	BSP-mutrikeere
Tihenditüüp 1	60° väliskoonus
Ühendus 2	BSP-väliskeere, silindriline
Tihenditüüp 2	60° sisekoonus
Tüüp	Ühendus
Ehitustüüp	Sirge
Materjal	Roostevaba teras



Artikkel

Märgistus	G1	G2	SW (mm)	S1
G AB 02 HB VA	G 1/8" -28	G 1/8" -28	14	14
G AB 02 HB 04 VA	G 1/8" -28	G 1/4" -19	19	19
G AB 04 HB 02 VA	G 1/4" -19	G 1/8" -28	19	19
G AB 04 HB VA	G 1/4" -19	G 1/4" -19	19	19
G AB 04 HB 06 VA	G 1/4" -19	G 3/8" -19	22	19
G AB 04 HB 08 VA	G 1/4" -19	G 1/2" -14	27	19
G AB 06 HB 02 VA	G 3/8" -19	G 1/8" -28	22	14
G AB 06 HB 04 VA	G 3/8" -19	G 1/4" -19	19	22
G AB 06 HB VA	G 3/8" -19	G 3/8" -19	22	22
G AB 06 HB 08 VA	G 3/8" -19	G 1/2" -14	27	22
G AB 08 HB 04 VA	G 1/2" -14	G 1/4" -19	19	27
G AB 08 HB 06 VA	G 1/2" -14	G 3/8" -19	22	27
G AB 08 HB VA	G 1/2" -14	G 1/2" -14	27	27
G AB 08 HB 12 VA	G 1/2" -14	G 3/4" -14	32	27
G AB 12 HB 08 VA	G 3/4" -14	G 1/2" -14	27	32
G AB 12 HB VA	G 3/4" -14	G 3/4" -14	32	32
G AB 12 HB 16 VA	G 3/4" -14	G 1" -11	41	32
G AB 16 HB 12 VA	G 1" -11	G 3/4" -14	41	36
G AB 16 HB VA	G 1" -11	G 1" -11	41	41
G AB 16 HB 20 VA	G 1" -11	G 1.1/4" -11	41	46
G AB 20 HB 16 VA	G 1.1/4" -11	G 1" -11	46	41
G AB 20 HB VA	G 1.1/4" -11	G 1.1/4" -11	50	50
G AB 24 HB VA	G 1.1/2" -11	G 1.1/2" -11	55	55
G AB 32 HB VA	G 2" -11	G 2" -11	70	70

SW, S1, S2 = võtme suurus

Toote variandid

G AB HB Ühendus, Teras