

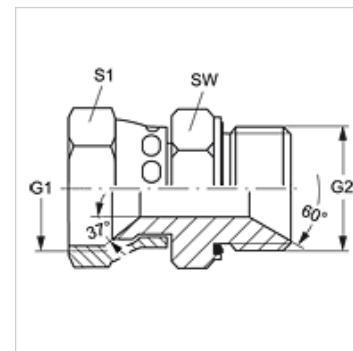
# G AJ HBED VA

Ühendus

**HANSA FLEX**

## Omadused

Ühendus 1	UN/UNF-mutrikeere
Tihenditüüp 1	74° sisekoonus
Ühendus 2	BSP-väliskeere, silindriline
Tihenditüüp 2	60° sisekoonus + E-vorm
Tüüp	Ühendus
Ehitustüüp	Sirge
Materjal	Roostevaba teras



## Tellimisinfo

NBR tihendid  
FPM (Viton) nõudmisel

## Artikkel

Märgistus	G1	G2	SW (mm)	S1
G AJ 04 HB 02 ED VA	7/16" -20 UNF	G 1/8" -28	14	17
G AJ 04 HBED VA	7/16" -20 UNF	G 1/4" -19	19	17
G AJ 05 HB 04 ED VA	1/2" -20 UNF	G 1/4" -19	19	17
G AJ 06 HB 04 ED VA	9/16" -18 UNF	G 1/4" -19	19	19
G AJ 06 HBED VA	9/16" -18 UNF	G 3/8" -19	22	19
G AJ 08 HB 06 ED VA	3/4" -16 UNF	G 3/8" -19	32	24
G AJ 08 HBED VA	3/4" -16 UNF	G 1/2" -14	27	24
G AJ 10 HB 08 ED VA	7/8 tolli - 14 UNF	G 1/2" -14	27	27
G AJ 12 HBED VA	1.1/16" -12 UN	G 3/4" -14	32	32
G AJ 12 HB 16 ED VA	1.1/16" -12 UN	G 1" -11	41	32
G AJ 16 HB 12 ED VA	1.5/16" -12 UN	G 3/4" -14	32	41
G AJ 16 HBED VA	1.5/16" -12 UN	G 1" -11	41	41
G AJ 20 HB 16 ED VA	1.5/8" -12 UN	G 1" -11	41	50
G AJ 20 HBED VA	1.5/8" -12 UN	G 1.1/4" -11	50	50
G AJ 24 HB 20 ED VA	1.7/8" -12 UN	G 1.1/4" -11	50	55
G AJ 24 HBED VA	1.7/8" -12 UN	G 1.1/2" -11	55	55

SW, S1, S2 = võtme suurus

## Varuosad

WD V Pehme tihend JIC