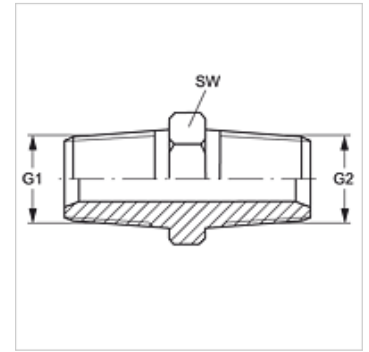


Omadused

| | |
|---------------|------------------|
| Ühendus 1 | NPT-väliskeere |
| Tihenditüüp 1 | Keermestihend |
| Ühendus 2 | NPT-väliskeere |
| Tihenditüüp 2 | keermestihend |
| Tüüp | Ühendusliitmik |
| Ehitustüüp | Sirge |
| Materjal | Roostevaba teras |



Artikkel

| Märgistus | G1 | G2 | SW (mm) |
|---------------|------------------|------------------|------------|
| G HN 02 VA | 1/8" -27 NPT | 1/8" -27 NPT | 12 |
| G 04 HN 02 VA | 1/4" -18 NPT | 1/8" -27 NPT | 16 |
| G HN 04 VA | 1/4" -18 NPT | 1/4" -18 NPT | 14 |
| G 06 HN 02 VA | 3/8" -18 NPT | 1/8" -27 NPT | 19 |
| G 06 HN 04 VA | 3/8" -18 NPT | 1/4" -18 NPT | 19 |
| G HN 06 VA | 3/8" -18 NPT | 3/8" -18 NPT | 19 |
| G 08 HN 04 VA | 1/2" -14 NPT | 1/4" -18 NPT | 22 |
| G 08 HN 06 VA | 1/2" -14 NPT | 3/8" -18 NPT | 22 |
| G HN 08 VA | 1/2" -14 NPT | 1/2" -14 NPT | 22 |
| G 12 HN 08 VA | 3/4" -14 NPT | 1/2" -14 NPT | 29 |
| G HN 12 VA | 3/4" -14 NPT | 3/4" -14 NPT | 27 |
| G 16 HN 08 VA | 1" -11,5 NPT | 1/2" -14 NPT | 35 |
| G 16 HN 12 VA | 1" -11,5 NPT | 3/4" -14 NPT | 36 |
| G HN 16 VA | 1" -11,5 NPT | 1" -11,5 NPT | 36 |
| G HN 20 VA | 1.1/4" -11,5 NPT | 1.1/4" -11,5 NPT | 46 |
| G HN 24 VA | 1.1/2" -11,5 NPT | 1.1/2" -11,5 NPT | 50 |
| G HN 32 VA | 2" -11,5 NPT | 2" -11,5 NPT | 65 |

SW = võtme suurus

Toote variandid

G HN Ühendusliitmik, Teras