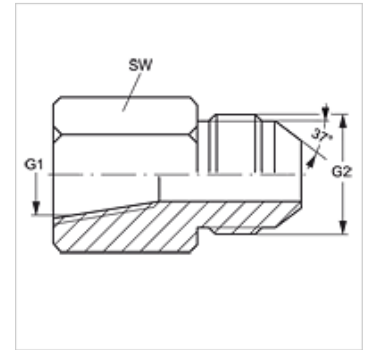


## Omadused

|               |                   |
|---------------|-------------------|
| Ühendus 1     | NPT-sisekeere     |
| Tihenditüüp 1 | Keermestihend     |
| Ühendus 2     | UN/UNF-väliskeere |
| Tihenditüüp 2 | 74° väliskoonus   |
| Tüüp          | Ühendusliitmik    |
| Ehitustüüp    | Sirge             |
| Materjal      | Teras             |
| Pinnatöötlus  | galvaniseeritud   |



## Artikkel

| Märgistus     | G1               | G2             | SW<br>(mm) |
|---------------|------------------|----------------|------------|
| G IN 02 HJ 04 | 1/8" -27 NPT     | 7/16" -20 UNF  | 14         |
| G IN 02 HJ 05 | 1/8" -27 NPT     | 1/2" -20 UNF   | 14         |
| G IN 04 HJ    | 1/4" -18 NPT     | 7/16" -20 UNF  | 19         |
| G IN 04 HJ 05 | 1/4" -18 NPT     | 1/2" -20 UNF   | 19         |
| G IN 04 HJ 06 | 1/4" -18 NPT     | 9/16" -18 UNF  | 19         |
| G IN 04 HJ 08 | 1/4" -18 NPT     | 3/4" -16 UNF   | 21         |
| G IN 06 HJ    | 3/8" -18 NPT     | 9/16" -18 UNF  | 22         |
| G IN 06 HJ 08 | 3/8" -18 NPT     | 3/4" -16 UNF   | 22         |
| G IN 06 HJ 10 | 3/8" -18 NPT     | 7/8" -14 UNF   | 29         |
| G IN 08 HJ    | 1/2" -14 NPT     | 3/4" -16 UNF   | 29         |
| G IN 08 HJ 10 | 1/2" -14 NPT     | 7/8" -14 UNF   | 29         |
| G IN 08 HJ 12 | 1/2" -14 NPT     | 1.1/16" -12 UN | 29         |
| G IN 12 HJ    | 3/4" -14 NPT     | 1.1/16" -12 UN | 35         |
| G IN 12 HJ 14 | 3/4" -14 NPT     | 1.3/16" -12 UN | 35         |
| G IN 16 HJ    | 1" -11,5 NPT     | 1.5/16" -12 UN | 41         |
| G IN 20 HJ    | 1.1/4" -11,5 NPT | 1.5/8" -12 UN  | 50         |
| G IN 24 HJ    | 1.1/2" -11,5 NPT | 1.7/8" -12 UN  | 60         |
| G IN 32 HJ    | 2" -11,5 NPT     | 2.1/2" -12 UN  | 73         |

SW = võtme suurus

## Toote variandid

G IN HJ VA Ühendusliitmik, Roostevaba teras