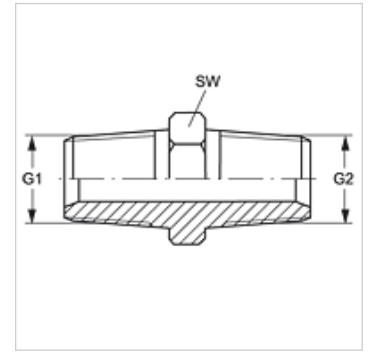


Omadused

| | |
|---------------|----------------------------|
| Ühendus 1 | BSPT-väliskeere, kooniline |
| Tihenditüüp 1 | 60° sisekoonus |
| Ühendus 2 | NPT-väliskeere |
| Tihenditüüp 2 | keermestihend |
| Tüüp | Sissekeeratav liitmik |
| Ehitustüüp | Sirge |
| Materjal | Teras |
| Pinnatöötlus | galvaniseeritud |



Artikkel

| Märgistus | G1 | G2 | SW (mm) |
|-----------------|------------|------------------|------------|
| GE HRK 02 HN | R 1/8" K | 1/8" -27 NPT | 14 |
| GE HRK 04 HN | R 1/4" K | 1/4" -18 NPT | 19 |
| GE HRK 04 HN 06 | R 1/4" K | 3/8" -18 NPT | 19 |
| GE HRK 06 HN | R 3/8" K | 3/8" -18 NPT | 22 |
| GE HRK 06 HN 04 | R 3/8" K | 1/4" -18 NPT | 22 |
| GE HRK 08 HN | R 1/2" K | 1/2" -14 NPT | 27 |
| GE HRK 12 HN | R 3/4" K | 3/4" -14 NPT | 32 |
| GE HRK 16 HN | R 1" K | 1" -11,5 NPT | 41 |
| GE HRK 16 HN 12 | R 1" K | 3/4" -14 NPT | 41 |
| GE HRK 20 HN | R 1.1/4" K | 1.1/4" -11,5 NPT | 50 |
| GE HRK 20 HN 16 | R 1.1/4" K | 1" -11,5 NPT | 50 |
| GE HRK 24 HN | R 1.1/2" K | 1.1/2" -11,5 NPT | 55 |
| GE HRK 32 HN | R 2" K | 2" -11,5 NPT | 70 |

SW = võtme suurus