

# PHN 200

Kaetud vooliku pressühendus

**HANSA FLEX**

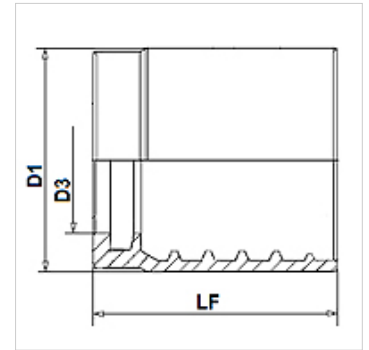
## Omadused

Ühendusetüüp Mittemuudetav hülssühendus

sobilik 1SN (HD 100)  
2SN (HD 200)  
2SC (KP 200)

Materjal Teras

Pinnatöötlus galvaniseeritud



## Vihje

Ühenduse paigutus sõltub voolikutüübist.

## Artikkel

| Märgistus | DN* | Suurus | Toll   | D1<br>(mm) | D3<br>(mm) | LF<br>(mm) |
|-----------|-----|--------|--------|------------|------------|------------|
| PHN 204   | 5   | 3      | 3/16"  | 21,0       | 9,5        | 23,5       |
| PHN 206   | 6   | 4      | 1/4"   | 23,0       | 11,4       | 30,0       |
| PHN 208   | 8   | 5      | 5/16"  | 24,0       | 13,2       | 30,0       |
| PHN 210   | 10  | 6      | 3/8"   | 26,0       | 14,5       | 31,0       |
| PHN 213   | 12  | 8      | 1/2"   | 29,0       | 18,3       | 32,0       |
| PHN 216   | 16  | 10     | 5/8"   | 33,0       | 21,6       | 36,0       |
| PHN 220   | 19  | 12     | 3/4"   | 37,0       | 24,4       | 42,5       |
| PHN 225   | 25  | 16     | 1"     | 46,0       | 31,0       | 51,0       |
| PHN 232   | 31  | 20     | 1.1/4" | 59,0       | 38,3       | 57,5       |
| PHN 240   | 38  | 24     | 1.1/2" | 67,0       | 44,0       | 60,5       |
| PHN 250   | 51  | 32     | 2"     | 80,0       | 57,0       | 74,0       |

DN = nimiläbimõõt, nimiläius