

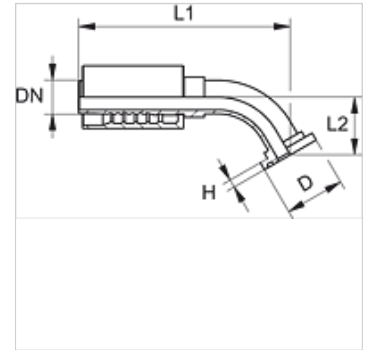
PA 500 SF6 45 A

Pressarmatuur, SFS W45°

HANSA FLEX

Omadused

| | |
|------------------|----------------------------------|
| Rakendusvaldkond | Pressarmatuur HD 500 voolikutele |
| Ühendus 1 | SAE-flantsühendus 6000 PSI |
| Tihenditüüp 1 | SF-O-rõngaga lametihend |
| Lühend | SFS |
| Tavaline | SAE J518 ISO 6162-2 |
| Integreerimine | rebenemiskaitsega (Interlock) |
| Komplektis | Nippelotsik + pressühendus |
| Materjal | Teras |
| Pinnatöötlus | galvaniseeritud |



Artikkel

| Märgistus | DN | Suurus | Toll | Flantsi suurus | D (mm) | H (mm) | L1 (mm) | L2 (mm) |
|--------------------|----|--------|--------|----------------|-----------|-----------|------------|------------|
| PA 720 SF6 45 | 19 | 12 | 3/4" | 3/4" | 41,3 | 8,8 | 135,5 | 30,0 |
| PA 720 SF6 25 45 | 19 | 12 | 3/4" | 1" | 47,6 | 9,6 | 139,5 | 34,5 |
| PA 725 SF6 45 | 25 | 16 | 1" | 1" | 47,6 | 9,6 | 164,0 | 33,5 |
| PA 725 SF6 32 45 | 25 | 16 | 1" | 1.1/4" | 54,0 | 10,4 | 169,0 | 38,5 |
| PA 532 SF6 25 45 A | 31 | 20 | 1.1/4" | 1" | 47,6 | 9,5 | - | - |
| PA 532 SF6 45 A | 31 | 20 | 1.1/4" | 1.1/4" | 54,0 | 10,3 | 191,0 | 41,5 |
| PA 532 SF6 40 45 A | 31 | 20 | 1.1/4" | 1.1/2" | 63,5 | 12,6 | 197,0 | 47,5 |
| PA 540 SF6 45 A | 38 | 24 | 1.1/2" | 1.1/2" | 63,5 | 12,6 | 222,5 | 49,0 |
| PA 540 SF6 32 45 A | 38 | 24 | 1.1/2" | 1.1/4" | 54,0 | 10,3 | - | - |
| PA 540 SF6 50 45 A | 38 | 24 | 1.1/2" | 2" | 79,4 | 12,6 | 236,0 | 61,0 |
| PA 550 SF6 45 A | 51 | 32 | 2" | 2" | 79,4 | 12,6 | 275,0 | 64,5 |

Toote variandid

| | |
|------------------|---|
| PA 500 SF6 45 VA | Pressarmatuur, SFS W45°, Roostevaba teras |
|------------------|---|