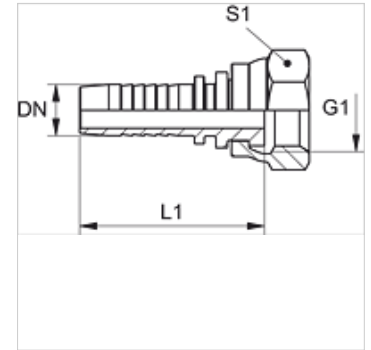


## Omadused

|                  |   |
|------------------|---|
| Rakendusvaldkond | Nippelotsik HD 100- kuni HD 400-, KP-, TE-voolikutele |
| Ühendus 1        | BSP-mutrikeere  |
| Tihenditüüp 1    | Lametihend  |
| Lühend           | DKR, lame   |
| Materjal         | Roostevaba teras                                      |



## Vihje

Valige sobiv ühendus voolikutüübi järgi.

## Artikkel

| Märgistus      | DN | Suurus | Toll   | Töörõhk (bar) | G1           | S1 |
|----------------|----|--------|--------|---------------|--------------|----|
| PN 06 AR 02 VA | 6  | 4      | 1/4"   | 350,0         | G 1/8" -28   | 14 |
| PN 06 AR 10 VA | 6  | 4      | 1/4"   | -             | G 3/8" -19   | 19 |
| PN 06 AR 13 VA | 6  | 4      | 1/4"   | 315,0         | G 1/2" -14   | 27 |
| PN 06 AR VA    | 6  | 4      | 1/4"   | 350,0         | G 1/4" -19   | 17 |
| PN 08 AR 10 VA | 8  | 5      | 5/16"  | 350,0         | G 3/8" -19   | 19 |
| PN 08 AR 13 VA | 8  | 5      | 5/16"  | 315,0         | G 1/2" -14   | 27 |
| PN 10 AR 06 VA | 10 | 6      | 3/8"   | 350,0         | G 1/4" -19   | 19 |
| PN 10 AR 13 VA | 10 | 6      | 3/8"   | 315,0         | G 1/2" -14   | 27 |
| PN 10 AR VA    | 10 | 6      | 3/8"   | 350,0         | G 3/8" -19   | 19 |
| PN 13 AR 10 VA | 12 | 8      | 1/2"   | 315,0         | G 3/8" -19   | 19 |
| PN 13 AR 16 VA | 12 | 8      | 1/2"   | 315,0         | G 5/8" -14   | 27 |
| PN 13 AR 20 VA | 12 | 8      | 1/2"   | 250,0         | G 3/4" -14   | 32 |
| PN 13 AR VA    | 12 | 8      | 1/2"   | 315,0         | G 1/2" -14   | 27 |
| PN 16 AR 20 VA | 16 | 10     | 5/8"   | 250,0         | G 3/4" -14   | 32 |
| PN 16 AR VA    | 16 | 10     | 5/8"   | 315,0         | G 5/8" -14   | 27 |
| PN 20 AR 25 VA | 19 | 12     | 3/4"   | 200,0         | G 1" -11     | 41 |
| PN 20 AR 32 VA | 19 | 12     | 3/4"   | 160,0         | G 1.1/4" -11 | 50 |
| PN 20 AR VA    | 19 | 12     | 3/4"   | 250,0         | G 3/4" -14   | 32 |
| PN 25 AR 32 VA | 25 | 16     | 1"     | 60,0          | G 1.1/4" -11 | 50 |
| PN 25 AR VA    | 25 | 16     | 1"     | 200,0         | G 1" -11     | 41 |
| PN 32 AR 40 VA | 31 | 20     | 1.1/4" | 125,0         | G 1.1/2" -11 | 55 |
| PN 32 AR VA    | 31 | 20     | 1.1/4" | 160,0         | G 1.1/4" -11 | 50 |
| PN 40 AR VA    | 38 | 24     | 1.1/2" | 125,0         | G 1.1/2" -11 | 55 |
| PN 50 AR VA    | 51 | 32     | 2"     | 80,0          | G 2" -11     | 70 |

## Toote variandid

PN AR Nippelotsik, DKR, lame, Teras