

TRP HL

Pressarmatuur, CEL

HANSA FLEX

Omadused

Ühendus 1 Meetriline väliskeere, silindriline

Tihenditüüp 1 24° sisekoonus

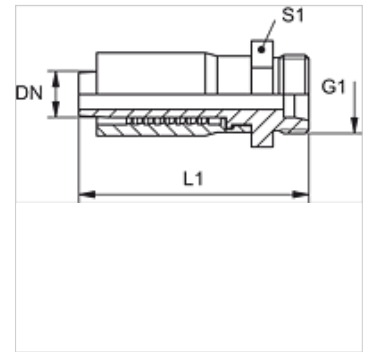
Lühend CEL

Tavaline ISO 8434-1

Komplektis Nippelotsik + pressühendus

Materjal Teras

Pinnatöötlus galvaniseeritud



Artikkel

| Märgistus | DN | Suurus | Toll | Ehitusseeria | G1 | Toru välimise-Ø jaoks (mm) | L1 (mm) | S1 |
|--------------|----|--------|-------|--------------|------------|----------------------------|---------|----|
| TRP 04 HL | 5 | 3 | 3/16" | L | M 12 x 1,5 | 6 | 47,0 | 17 |
| TRP 06 HL | 6 | 4 | 1/4" | L | M 14 x 1,5 | 8 | 53,0 | 17 |
| TRP 08 HL | 8 | 5 | 5/16" | L | M 16 x 1,5 | 10 | 57,0 | 19 |
| TRP 08 HL 10 | 8 | 5 | 5/16" | L | M 18 x 1,5 | 12 | 57,0 | 22 |
| TRP 10 HL | 10 | 6 | 3/8" | L | M 18 x 1,5 | 12 | 63,0 | 22 |
| TRP 10 HL 13 | 10 | 6 | 3/8" | L | M 22 x 1,5 | 15 | 64,0 | 27 |
| TRP 13 HL | 12 | 8 | 1/2" | L | M 22 x 1,5 | 15 | 70,0 | 27 |