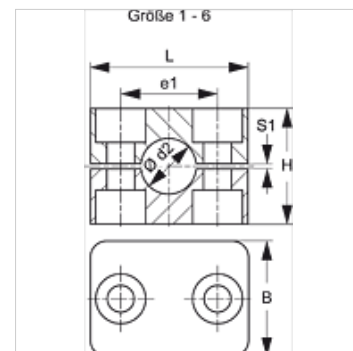


# SRS 1-6 PP

## Toruklamber, kergetööstus

### Omadused

|                  |                          |
|------------------|--------------------------|
| Tüüp             | Üksiktoruklamber         |
| Lisa             | Klambri kiiluga sisekülj |
| Ehitusseeria     | Kerge                    |
| Tavaline         | DIN 3015-1               |
| Temperatuur min. | -30 °C                   |
| Temperatuur max. | 90 °C                    |
| Materjal         | Polüpropüleen            |



### Vihje

Voolikute ja torude kinnitamiseks soovitatakse kasutada sileda sisepinnaga klambreid. Paigaldus toimub ilma eelpingeta, seejuures väheneb kuubiku kõrgus H pilu mõõdu S1 võrra.

### Kirjeldus

Kiilud klambri sisepinnal summutavad lööke ja vibratsioone ning kannavad jõude edasi torutelje suunas. Pilu poolte vahel mõjutab toru eelpinget.

### Tellimisinfo

1 tükk = 2 klambri poolt

### Artikkel

| Märgistus      | Toru välimine Ø D2 (mm) | Toru välimine Ø D2 | Klambri suurus | e1 (mm) | H (mm) | L (mm) | S1 (mm) |
|----------------|-------------------------|--------------------|----------------|---------|--------|--------|---------|
| SRS 106 A PP   | 6,0                     | -                  | 1              | 20      | 27     | 34     | 0,6     |
| SRS 106.4 A PP | 6,4                     | 1/4"               | 1              | 20      | 27     | 34     | 0,6     |
| SRS 108 A PP   | 8,0                     | 5/16"              | 1              | 20      | 27     | 34     | 0,6     |
| SRS 109.5 A PP | 9,5                     | 3/8"               | 1              | 20      | 27     | 34     | 0,6     |
| SRS 110 A PP   | 10,0                    | -                  | 1              | 20      | 27     | 34     | 0,6     |
| SRS 112 A PP   | 12,0                    | -                  | 1              | 20      | 27     | 34     | 0,6     |
| SRS 0212.7 PP  | 12,7                    | 1/2"               | 2              | 26      | 33     | 40     | 0,8     |
| SRS 0213.5 PP  | 13,5                    | -                  | 2              | 26      | 33     | 40     | 0,8     |
| SRS 0214 PP    | 14,0                    | -                  | 2              | 26      | 33     | 40     | 0,8     |
| SRS 0215 PP    | 15,0                    | -                  | 2              | 26      | 33     | 40     | 0,8     |
| SRS 0216 PP    | 16,0                    | 5/8"               | 2              | 26      | 33     | 40     | 0,8     |
| SRS 0217.2 PP  | 17,2                    | -                  | 2              | 26      | 33     | 40     | 0,8     |
| SRS 0218 PP    | 18,0                    | -                  | 2              | 26      | 33     | 40     | 0,8     |
| SRS 0319 PP    | 19,0                    | 3/4"               | 3              | 33      | 35     | 48     | 1,0     |
| SRS 0320 PP    | 20,0                    | -                  | 3              | 33      | 35     | 48     | 1,0     |
| SRS 0321.3 PP  | 21,3                    | -                  | 3              | 33      | 35     | 48     | 1,0     |
| SRS 0322 PP    | 22,0                    | -                  | 3              | 33      | 35     | 48     | 1,0     |
| SRS 0323 PP    | 23,0                    | -                  | 3              | 33      | 35     | 48     | 1,0     |
| SRS 0325 PP    | 25,0                    | 1"                 | 3              | 33      | 35     | 48     | 1,0     |
| SRS 0426.9 PP  | 26,9                    | -                  | 4              | 40      | 42     | 57     | 1,2     |
| SRS 0428 PP    | 28,0                    | -                  | 4              | 40      | 42     | 57     | 1,2     |
| SRS 0430 PP    | 30,0                    | -                  | 4              | 40      | 42     | 57     | 1,2     |
| SRS 0532 PP    | 32,0                    | 1.1/4"             | 5              | 52      | 58     | 70     | 1,2     |
| SRS 0533.7 PP  | 33,7                    | -                  | 5              | 52      | 58     | 70     | 1,2     |
| SRS 0535 PP    | 35,0                    | -                  | 5              | 52      | 58     | 70     | 1,2     |
| SRS 0538 PP    | 38,0                    | 1.1/2"             | 5              | 52      | 58     | 70     | 1,2     |
| SRS 0540 PP    | 40,0                    | -                  | 5              | 52      | 58     | 70     | 1,2     |
| SRS 0542 PP    | 42,0                    | -                  | 5              | 52      | 58     | 70     | 1,2     |
| SRS 0542.4 PP  | 42,4                    | -                  | 5              | 52      | 58     | 70     | 1,2     |
| SRS 0644.5 PP  | 44,5                    | 1.3/4"             | 6              | 66      | 66     | 86     | 1,2     |
| SRS 0645 PP    | 45,0                    | -                  | 6              | 66      | 66     | 86     | 1,2     |
| SRS 0648 PP    | 48,0                    | -                  | 6              | 66      | 66     | 86     | 1,2     |
| SRS 0650 PP    | 50,0                    | -                  | 6              | 66      | 66     | 86     | 1,2     |
| SRS 0650.8 PP  | 50,8                    | 2"                 | 6              | 66      | 66     | 86     | 1,2     |
| SRS 0652 PP    | 52,0                    | -                  | 6              | 66      | 66     | 86     | 1,2     |
| SRS 0655 PP    | 55,0                    | -                  | 6              | 66      | 66     | 86     | 1,2     |



## Artikkel

| Märgistus   | Toru välimine Ø D2<br>(mm) | Toru välimine Ø D2 | Klambri suurus | e1<br>(mm) | H<br>(mm) | L<br>(mm) | S1<br>(mm) |
|-------------|----------------------------|--------------------|----------------|------------|-----------|-----------|------------|
| SRS 0657 PP | 57,0                       | 2.1/4"             | 6              | 66         | 66        | 86        | 1,2        |

## Toote variandid

|              |   |
|--------------|---|
| SRS 1-6 AL   | Toruklamber, kergetööstus, Klambri kiiluga sisekülg |
| SRS 1-6 PA   | Toruklamber, kergetööstus, Klambri kiiluga sisekülg |
| SRS 1-6 PA G | Toruklamber, kergetööstus, Klambri sile sisekülg    |
| SRS 1-6 PP G | Toruklamber, kergetööstus, Klambri sile sisekülg    |
| SRS 1-6 VG   | Toruklamber, kergetööstus, Klambri sile sisekülg    |

## on järgnevate toodete täiendav element

|         |                                    |
|---------|------------------------------------|
| A 1-6 A | Grupi A 1-6 ülesehituse koostamine |
| A 1-6   | Grupi A 1-6 koostamine             |