

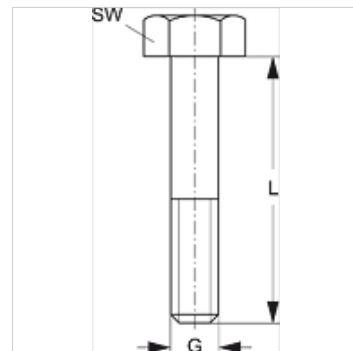
SRS AS 30-100

Sisekuuskant polt toruklambrile

HANSA FLEX

Omadused

| | |
|---------------------|---|
| Tüüp | üksiktoruklambritele |
| Ehitusseeria | Raske |
| Tavaline | DIN 931 (ISO 4014) või DIN 933 (ISO 4017) |
| Materjal | Teras |
| Pinnatöötlus | galvaniseeritud |



Artikkel

| Märgistus | Klambri suurus | G | L (mm) | SW (mm) |
|------------|----------------|------|-----------|------------|
| SRS AS 30 | 1 | M 10 | 40 | 17 |
| SRS AS 40 | 2 | M 10 | 60 | 17 |
| SRS AS 50 | 3 | M 10 | 70 | 17 |
| SRS AS 60 | 4 | M 12 | 100 | 19 |
| SRS AS 70 | 5 | M 16 | 130 | 24 |
| SRS AS 80 | 6 | M 20 | 190 | 30 |
| SRS AS 90 | 7 | M 24 | 220 | 36 |
| SRS AS 100 | 8 | M 30 | 300 | 46 |

Toote variandid

SRS AS 30-100 V4 Sisekuuskantkruvi üksiktoruklambri, Roostevaba teras 1.4571

on järgnevate toodete täiendav element

| | |
|-----|--|
| C D | Toruklambri koostamine, grupp C, topelt |
| C | B-grupi koostamine |