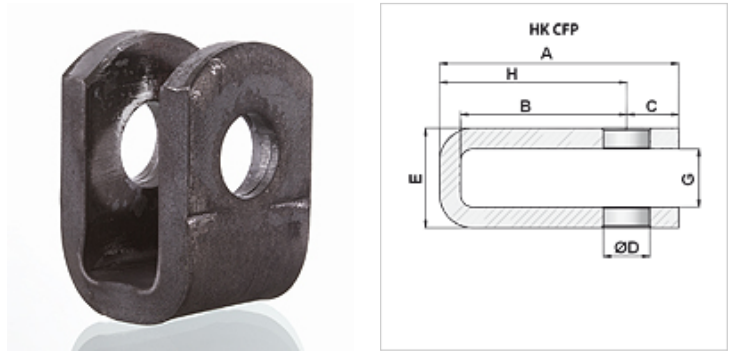


Omadused

Materjal Teras S355J0 (Fe510C)



Artikkel

Märgistus	A (mm)	B (mm)	C (mm)	E (mm)	G (mm)	H (mm)	Ø D (mm)	Profiil	Kaal (kg)
HK CFP 40 10 125	125,00	95,00	20,0	40,50	20,50	105,0	20,25	40 x 10	0,5
HK CFP 45 10 067	67,00	30,00	27,0	43,00	23,00	40,0	20,25	45 x 10	1,0
HK CFP 45 10 132	132,00	97,00	25,0	48,00	28,00	107,0	22,25	45 x 10	1,0
HK CFP 50 15 135	135,00	95,00	25,0	52,00	22,00	110,0	26,25	50 x 15	1,3
HK CFP 50 15 140	140,00	95,00	30,0	63,00	33,00	110,0	26,25	50 x 15	1,5
HK CFP 60 20 175	175,00	125,00	30,0	75,00	35,00	145,0	26,25	60 x 20	3,0
HK CFP 60 20 180	180,00	130,00	30,0	80,00	40,00	150,0	26,25	60 x 20	3,5