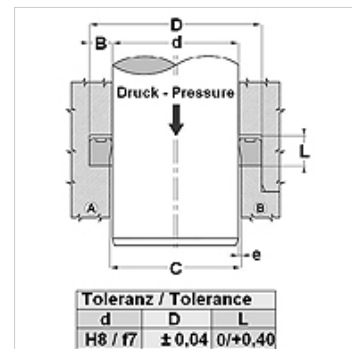


Omadused

Tüüp	Varda soonrõngas
Töörõhk	kuni 400 baari
Libisemiskiirus max.	0,5 m/s
Temperatuur min.	-30 °C
Temperatuur max.	80 °C
Vahendid	Mineraalõlid
Montaaž	avatud soontes B Suletud soontes avatud paigaldusruumides
Materjal	PUR
Rakendus	Hüdraulika



Druck bar	Spaltmaß / Clearance e (mm)			
	TS-TS...L		TS...-AI-TS...-LA	
	d<60mm	d>60mm	d<60mm	d>60mm
50	<0,40	<0,50	<0,60	<0,80
100	<0,30	<0,40	<0,60	<0,80
200	<0,20	<0,30	<0,40	<0,60
300	<0,15	<0,20	<0,30	<0,40
400	<0,10	<0,15	<0,20	<0,30
500			<0,10	<0,15



Kirjeldus

suur rebenemiskindlus
Väga hea tihendamine madalsurve korral.
Koormuse kiire vahetamine.

Tellimisinfo

Lühikese etteteatamisajaga suudame valmistada tihendeid läbimõõduga 20–510 mm.

Artikkel

Märgistus	d (mm)	D (mm)	L (mm)
TS 06 14-L	6,0	14,0	6,3
TS 08 16-L	8,0	16,0	6,3
TS 10 16-L	10,0	16,0	5,4
TS 10 18-L	10,0	18,0	6,3
TS 12 19-L	12,0	19,0	6,3
TS 12 20-L	12,0	20,0	6,3
TS 12 23-L	12,0	23,0	7,5
TS 14 20-L	14,0	20,0	5,3
TS 14 22-L	14,0	22,0	6,3
TS 16 24-L	16,0	24,0	6,3
TS 18 24-L	18,0	24,0	5,2
TS 18 25-L	18,0	25,0	5,7
TS 18 26-L	18,0	26,0	6,3
TS 18 26-L1	18,0	26,0	9,0
TS 18 28-L	18,0	28,0	6,3
TS 18 28-L1	18,0	28,0	8,0
TS 20 26-L	20,0	26,0	6,0
TS 20 28-L	20,0	28,0	6,3
TS 20 28-L1	20,0	28,0	8,0
TS 20 30-L3	20,0	30,0	5,0
TS 20 30-L	20,0	30,0	8,0
TS 22 30-L1	22,0	30,0	6,3
TS 22 32-L	22,0	32,0	8,0
TS 22 32-L1	22,0	32,0	9,0
TS 24 34-L	24,0	34,0	6,5
TS 25 33-L	25,0	33,0	6,3
TS 25 33-L2	25,0	33,0	7,5
TS 25 33-L3	25,0	33,0	8,0
TS 25 33-L1	25,0	33,0	9,0
TS 25 35-L3	25,0	35,0	6,3
TS 25 35-L1	25,0	35,0	8,0
TS 25 35-L4	25,0	35,0	9,0
TS 28 34-L	28,0	34,2	6,0
TS 28 36-L1	28,0	28,0	6,3
TS 28 36-L	28,0	36,0	9,0
TS 28 38-L	28,0	38,0	6,3
TS 28 38-L1	28,0	38,0	8,0
TS 30 38-L1	30,0	38,0	6,3



Artikkel

Märgistus	d (mm)	D (mm)	L (mm)
TS 30 38-L2	30,0	38,0	8,0
TS 30 40-L	30,0	40,0	7,5
TS 30 40-L2	30,0	40,0	11,0
TS 32 40-L1	32,0	40,0	6,3
TS 32 40-L	32,0	40,0	9,0
TS 32 42-L	32,0	42,0	8,0
TS 32 42-L2	32,0	42,0	11,0
TS 35 43-L2	35,0	43,0	6,3
TS 35 43-L	35,0	43,0	7,0
TS 35 43-L1	35,0	43,0	9,0
TS 35 45-L	35,0	45,0	8,0
TS 35 45-L1	35,0	45,0	11,0
TS 35 50-L	35,0	50,0	11,0
TS 36 44-L1	36,0	44,0	6,3
TS 36 46-L	36,0	46,0	8,0
TS 40 48-L1	40,0	48,0	6,3
TS 40 48-L2	40,0	48,0	7,0
TS 40 48-L	40,0	48,0	9,0
TS 40 50-L2	40,0	50,0	8,0
TS 40 55-L1	40,0	55,0	11,0
TS 40 60-L	40,0	60,0	11,0
TS 42 52-L	42,0	52,0	9,0
TS 45 53-L3	45,0	53,0	6,3
TS 45 53-L	45,0	53,0	9,0
TS 45 55-L2	45,0	55,0	6,3
TS 45 55-L	45,0	55,0	8,0
TS 45 55-L1	45,0	55,0	11,0
TS 45 57-L	45,0	57,0	10,5
TS 49 65-L	49,5	65,3	11,0
TS 50 58-L	50,0	58,0	9,0
TS 50 60-L	50,0	60,0	8,0
TS 50 60-L2	50,0	60,0	10,0
TS 50 60-L1	50,0	60,0	11,0
TS 50 62-L1	50,0	62,0	9,0
TS 50 65-L	50,0	65,0	11,0
TS 50 65-L1	50,0	65,0	12,5
TS 55 63-L	55,0	63,0	9,0
TS 55 65-L	55,0	65,0	8,0
TS 55 65-L1	55,0	65,0	11,0
TS 55 65-L2	55,0	65,0	13,0
TS 56 66-L1	56,0	66,0	7,5
TS 56 71-L	56,0	71,0	12,5
TS 60 68-L	60,0	68,0	9,0
TS 60 70-L	60,0	70,0	8,0
TS 60 70-L1	60,0	70,0	11,0
TS 60 70-L2	60,0	70,0	12,5
TS 60 70-L3	60,0	70,0	13,0
TS 60 71-L	60,0	71,0	9,0
TS 60 72-L	60,0	72,0	10,0
TS 60 75-L1	60,0	75,0	11,0
TS 61 69-L1	61,0	69,7	9,0
TS 63 73-L	63,0	73,0	11,0
TS 63 75-L2	63,0	75,0	9,5
TS 63 75-L1	63,0	75,0	11,0
TS 65 73-L	65,0	73,0	9,0
TS 65 75-L	65,0	75,0	13,0
TS 70 78-L	70,0	78,0	9,0
TS 70 80-L	70,0	80,0	8,0
TS 70 80-L1	70,0	80,0	11,0
TS 70 80-L2	70,0	80,0	13,0
TS 70 82-L	70,0	82,0	10,0
TS 70 85-L	70,0	85,0	12,5
TS 75 83-L1	75,0	83,0	9,0



Artikkel

Märgistus	d (mm)	D (mm)	L (mm)
TS 75 85-L	75,0	85,0	8,0
TS 75 85-L1	75,0	85,0	13,0
TS 78 86-L1	78,0	86,0	9,0
TS 79 87-L	79,0	87,7	9,0
TS 80 88-L2	80,0	88,0	9,0
TS 80 88-L1	80,0	88,0	12,5
TS 80 90-L	80,0	90,0	8,0
TS 80 90-L1	80,0	90,0	13,0
TS 80 92-L	80,0	92,0	9,6
TS 80 95-L	80,0	95,0	12,5
TS 80 96-L	80,0	96,0	10,5
TS 85 93-L	85,0	93,0	9,0
TS 85 95-L	85,0	95,0	8,0
TS 85 95-L1	85,0	95,0	13,0
TS 88 101-L	88,9	101,6	10,5
TS 90 102-L	90,0	102,0	10,0
TS 90 105-L	90,0	105,0	12,5
TS 95 103-L	95,0	103,0	9,0
TS 98 106-L	98,0	106,7	9,0
TS 100 108-L	100,0	108,0	12,5
TS 100 115-L	100,0	115,0	13,0
TS 105 113-L	105,0	113,0	9,0
TS 108 116-L	108,0	116,0	9,0
TS 110 125-L	110,0	125,0	12,0
TS 115 123-L	115,0	123,0	9,0
TS 116 124-L	116,0	124,7	9,0
TS 120 128-L1	120,0	128,0	12,5
TS 125 133-L1	125,0	133,0	7,5
TS 130 145-L	130,0	145,0	16,0
TS 135 143-L1	135,0	143,0	9,0
TS 135 143-L	135,0	143,7	9,0
TS 135 150-L	135,0	150,0	12,5
TS 140 150-L	140,0	150,0	12,5
TS 154 162-L	154,0	162,7	9,0
TS 170 180-L	170,0	180,0	11,0