

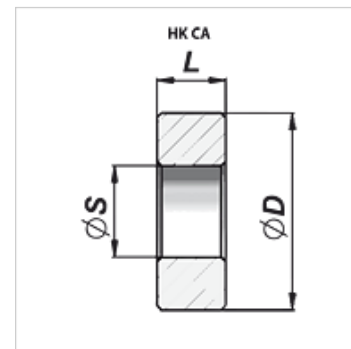
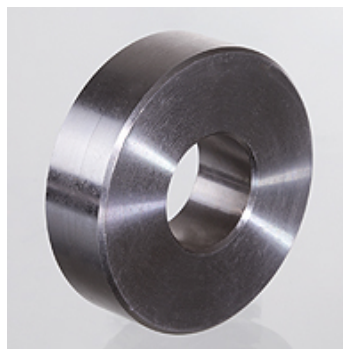
HK CA

Varbkolb ilma varbkolbsilindri juhtimiseta

HANSA FLEX

Omadused

Materjal Teras S355J0 (Fe510C)



Artikkel

| Märgistus | Ø D (mm) | Ø S (mm) | L (mm) | Kaal (kg) |
|-----------|-------------|-------------|-----------|--------------|
| HK CA 35 | 34,0 | 15 | 10 | 0,06 |
| HK CA 40 | 38,0 | 20 | 15 | 0,10 |
| HK CA 45 | 43,0 | 20 | 15 | 0,13 |
| HK CA 50 | 48,0 | 20 | 20 | 0,23 |
| HK CA 60 | 58,0 | 27 | 20 | 0,32 |
| HK CA 70 | 68,0 | 27 | 20 | 0,48 |