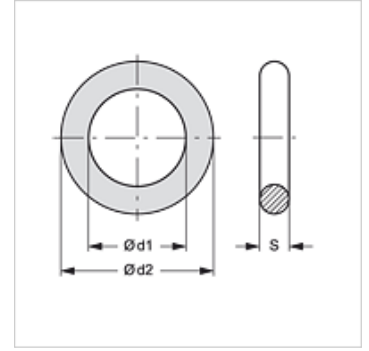


# AC OR

O-rõngas AC-Clip-niplile

## Omadused

Tüüp AC-Clip nipli tihendirõngas



## Artikkel

| Märgistus | DN voolikule | Ø d1<br>(mm) | Ø d2<br>(mm) | S<br>(mm) |
|-----------|--------------|--------------|--------------|-----------|
| AC OR 05  | 05           | 3,5          | 5,5          | 1,0       |
| AC OR 08  | 08           | 5,5          | 7,5          | 1,0       |
| AC OR 10  | 10           | 8,0          | 10,0         | 1,0       |
| AC OR 13  | 12           | 9,5          | 12,5         | 1,5       |
| AC OR 16  | 16           | 12,0         | 16,0         | 2,0       |
| AC OR 20  | 19           | 15,5         | 19,5         | 2,0       |