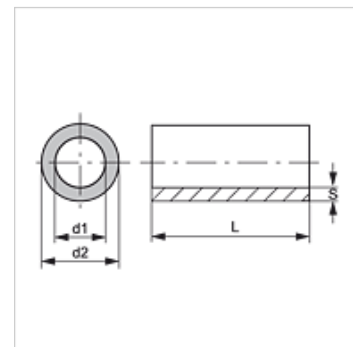
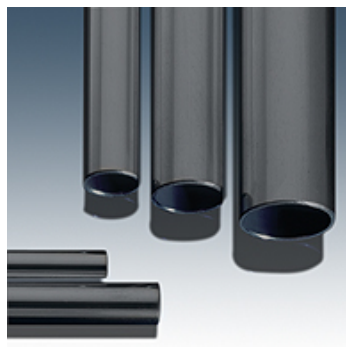


# PR ST52 (M)

Hydraulic tube, metric, ST52

## Omadused

<b>Tüüp</b>	Täppisterastoru
<b>Materjal</b>	Teras ST 52



## Artikkel

Märgistus	Ø d2 (mm)	Ø d1 (mm)	S (mm)
<b>PR 65-8 ST52</b>	65,0	49,0	8,00
<b>PR 60-7 ST52</b>	60,0	56,0	7,00

L = Pipe length approx. 6 metres