

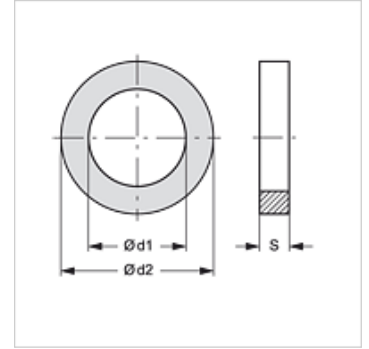
KML M DISA SIL

Tihend Kamlock-ühendusele, emane detail, silikoon

HANSA FLEX

Omadused

Materjal Silikoon



Artikkel

Märgistus	Ühenduse suurusele	Ø d1 (mm)	Ø d2 (mm)	S (mm)
KML M DISA 3/4 SIL	3/4"	22,22	34,93	5,54
KML M DISA 1 SIL	1"	26,99	39,69	6,35
KML M DISA 1.1/4 SIL	1.1/4"	34,53	49,21	6,35
KML M DISA 1.1/2 SIL	1.1/2"	41,27	55,56	6,35
KML M DISA 2 SIL	2"	50,80	66,67	6,35
KML M DISA 2.1/2 SIL	2.1/2"	60,32	79,37	6,35
KML M DISA 3 SIL	3"	76,20	94,45	6,35
KML M DISA 4 SIL	4"	101,60	123,82	6,35

Toote variandid

KML M DISA EP	Tihend Kamlock-ühendusele, emane detail, EPDM, EPDM
KML M DISA NBR	Tihend Kamlock-ühendusele, emane detail, NBR, NBR
KML M DISA V	Tihend Kamlock-ühendusele, emane detail, FKM (FPM), FKM SH 90 (Viton)