

# GE HRED HB

Sissekeeratav liitmik

**HANSA FLEX**

## Omadused

Ühendus 1 BSP-väliskeere, silindriline

Tihenditüüp 1 E-vorm

Ühendus 2 BSP-väliskeere, silindriline

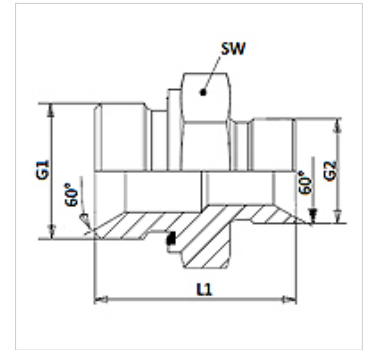
Tihenditüüp 2 60° sisekoonus

Tüüp Sissekeeratav liitmik

Ehitustüüp Sirge

Materjal Teras

Pinnatöötlus galvaniseeritud



## Vihje

Kasutatav ED-ga keermesoklina ja 60° sisekoonusega liitmikuna

## Artikkel

| Märgistus        | G1           | G2           | L1<br>(mm) | SW<br>(mm) |
|------------------|--------------|--------------|------------|------------|
| GE HRED 02 HB    | G 1/8" -28   | G 1/8" -28   | 24,0       | 14         |
| GE HRED 04 HB 02 | G 1/4" -19   | G 1/8" -28   | 28,5       | 19         |
| GE HRED 04 HB    | G 1/4" -19   | G 1/4" -19   | 33,0       | 19         |
| GE HRED 04 HB 06 | G 1/4" -19   | G 3/8" -19   | 34,5       | 19         |
| GE HRED 06 HB 04 | G 3/8" -19   | G 1/4" -19   | 33,5       | 22         |
| GE HRED 06 HB    | G 3/8" -19   | G 3/8" -19   | 35,0       | 22         |
| GE HRED 06 HB 08 | G 3/8" -19   | G 1/2" -14   | 38,5       | 22         |
| GE HRED 08 HB 06 | G 1/2" -14   | G 3/8" -19   | 37,5       | 27         |
| GE HRED 08 HB    | G 1/2" -14   | G 1/2" -14   | 41,0       | 27         |
| GE HRED 08 HB 10 | G 1/2" -14   | G 5/8" -14   | 43,0       | 27         |
| GE HRED 08 HB 12 | G 1/2" -14   | G 3/4" -14   | 45,0       | 32         |
| GE HRED 12 HB 08 | G 3/4" -14   | G 1/2" -14   | 43,0       | 32         |
| GE HRED 12 HB    | G 3/4" -14   | G 3/4" -14   | 47,0       | 32         |
| GE HRED 12 HB 16 | G 3/4" -14   | G 1" -11     | 51,0       | 32         |
| GE HRED 16 HB 12 | G 1" -11     | G 3/4" -14   | 49,0       | 41         |
| GE HRED 16 HB    | G 1" -11     | G 1" -11     | 53,0       | 41         |
| GE HRED 20 HB 16 | G 1.1/4" -11 | G 1" -11     | 55,0       | 50         |
| GE HRED 20 HB    | G 1.1/4" -11 | G 1.1/4" -11 | 58,0       | 50         |
| GE HRED 24 HB    | G 1.1/2" -11 | G 1.1/2" -11 | 64,0       | 55         |

SW = võtme suurus

## Varuosad

WD Pehme tihend ED-liitmikule