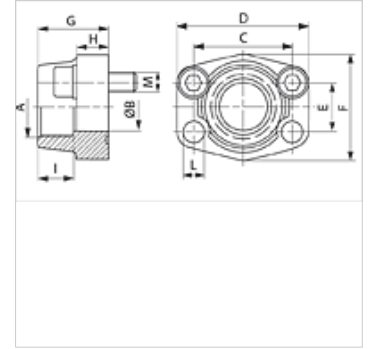


# AFS N (6000 PSI)

## SAE sissekeeratav flants, NPT

### Omadused

|              |                          |
|--------------|--------------------------|
| Surverida    | 6000 psi                 |
| Tavaline     | SAE J 518 C<br>ISO 6162  |
| Ehitustüüp   | Sirge                    |
| Tüüp         | SAE sissekeeratav flants |
| Paigaldus    | Poldi ava                |
| Komplektis   | ainult flants            |
| Materjal     | S355J2G3 (ST52.3)        |
| Pinnatöötlus | must, õlitatud           |



### Vihje

Antud maksimaalne töörohk kehtib flantsi kohta! Tegelik töörohu määrab toru (seinatugevus) ja toru omadustest!  
Soovitav on kasutada veergudes M (metr) või M (unc) nimetatud polte.

### Artikkel

| Märgistus       | PB<br>10.9<br>(bar) | Ehitussuurus | A                | Ø B  | C    | D    | E    | F    | G    | H    | I    | L    | M meetrit | M unc          |
|-----------------|---------------------|--------------|------------------|------|------|------|------|------|------|------|------|------|-----------|----------------|
|                 |                     |              |                  | (mm) | (mm) | (mm) | (mm) | (mm) | (mm) | (mm) | (mm) | (mm) |           |                |
| AFS 401 N       | 400                 | 1/2"         | NPT 1/2" -14     | 13   | 40,5 | 54   | 18,2 | 46   | 36   | 16   | 19   | 9,0  | M 8 x 30  | 5/16" x 1.1/4" |
| AFS 401 N 3/8   | 400                 | 1/2"         | NPT 3/8" -18     | 13   | 40,5 | 54   | 18,2 | 46   | 36   | 16   | 19   | 9,0  | M 8 x 30  | 5/16" x 1.1/4" |
| AFS 402 N       | 400                 | 3/4"         | NPT 3/4" -14     | 19   | 50,8 | 71   | 23,8 | 55   | 35   | 21   | 22   | 11,0 | M 10 x 35 | 3/8" x 1.1/2"  |
| AFS 402 N 1/2   | 400                 | 3/4"         | NPT 1/2" -14     | 13   | 50,8 | 71   | 23,8 | 55   | 35   | 21   | 22   | 11,0 | M 10 x 35 | 3/8" x 1.1/2"  |
| AFS 403 N       | 400                 | 1"           | NPT 1" -11,5     | 25   | 57,2 | 81   | 27,8 | 65   | 42   | 25   | 24   | 13,0 | M 12 x 45 | 7/16" x 1.3/4" |
| AFS 403 N 3/4   | 400                 | 1"           | NPT 3/4" -14     | 19   | 57,2 | 81   | 27,8 | 65   | 42   | 25   | 24   | 13,0 | M 12 x 45 | 7/16" x 1.3/4" |
| AFS 404 N       | 400                 | 1.1/4"       | NPT 1.1/4" -11,5 | 32   | 66,7 | 95   | 31,8 | 78   | 45   | 27   | 25   | *1   | M 14 x 45 | 1/2" x 1.3/4"  |
| AFS 404 N 1     | 400                 | 1.1/4"       | NPT 1" -11,5     | 25   | 66,7 | 95   | 31,8 | 78   | 45   | 27   | 25   | *1   | M 14 x 45 | 1/2" x 1.3/4"  |
| AFS 405 N       | 400                 | 1.1/2"       | NPT 1.1/2"       | 38   | 79,4 | 112  | 36,5 | 94   | 50   | 30   | 28   | 17,0 | M 16 x 50 | 5/8" x 2"      |
| AFS 405 N 1 1/4 | 400                 | 1.1/2"       | NPT 1.1/4" -11,5 | 32   | 79,4 | 112  | 36,5 | 94   | 50   | 30   | 28   | 17,0 | M 16 x 50 | 5/8" x 2"      |
| AFS 406 N       | 400                 | 2"           | NPT 2" -11,5     | 51   | 96,8 | 134  | 44,5 | 114  | 65   | 37   | 30   | 21,0 | M 20 x 65 | 3/4" x 2.1/2"  |
| AFS 406 N 1 1/2 | 400                 | 2"           | NPT 1.1/2"       | 38   | 96,8 | 134  | 44,5 | 114  | 65   | 37   | 30   | 21,0 | M 20 x 65 | 3/4" x 2.1/2"  |

PN = nimirõhk PB = maks. töörohk

\*1) = 15,0 meetriliste poltide puhul; 13,5 UNC-kruvide puhul

### Toote variandid

|                           |  |
|---------------------------|--|
| AFS N M (3000 / 6000 PSI) | SAE sissekeeratav flants, NPT, M-keermega poldi komplekti ja O-rõngaga       |
| AFS N U (3000 / 6000 PSI) | SAE sissekeeratav flants, NPT, meetrilise UNC-kruvide komplekti ja O-rõngaga |