

# K-SCHL-AUFROLLER LUFT H

Hose reels for compressed air, high flow capacity

**HANSA FLEX**

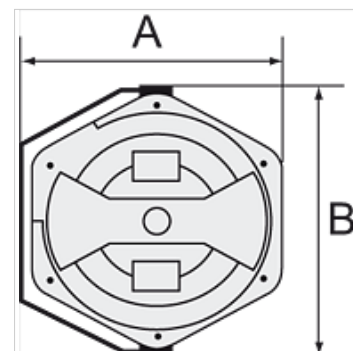
## Omadused

**Voolikumaterjal** Braided polyurethane

**Töö rõhk** maks 12 baari

**Töötemperatuur** -20 °C to +60 °C

**Pöördnurk** 300°



## Vihje

Lisaandmed saate soovi korral.

## Kirjeldus

Specially designed to ensure a high flow capacity. Easy mounting on the wall or ceiling. Closed, rugged, impact-resistant housing made of POM, supply/outlet R 1/4 male thread and lightweight, hard-wearing, oil-resistant polyurethane hose. Incl. 2 m feeder hose.

## Artikkel

Märgistus	Vooliku mõõt	A (mm)	B (mm)	Vooliku pikkus (m)
K- 07 10 06 14	16 mm x 11 mm	394,5	436,0	10