

K-SAUGPLATTENAUFHAENGUNG

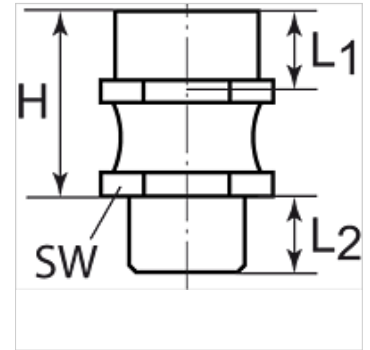
Flexible suction pad mountings

HANSA FLEX

Omadused

Rakendus For handling of workpieces with sloping using large-area vacuum gripper
Handling of large plates that can sag when lifting
In combination with spring plungers to compensate height-differences and Unevenness

Erilised tunnused very good adaptation to oblique workpiece surfaces
automatic Rückstellung in die Ausgangslage
vacuum-tight design with integrated protection against damage



Vihje

Lisaandmed saate soovi korral.

Kirjeldus

Flexible suction pad mounting. By flexing in all directions, this mounting allows the suction pad to better adapt itself to sloping workpieces.

Artikkel

Märgistus	Sisemine keere 1	Väline keere 2	H (mm)	Materjal	L1 (mm)	L2 (mm)	Nurk W (°)	Vertikaalkoormus (N/m ²)	Paindemoment (N/m ²)	SW (mm)
K- 07 45 01 47	G 1/4	M 10 x 1.25	27,0	Steel, rubber	10,5	8,0	12	500	8,0	17
K- 07 45 01 48	G 1/4	G 1/4	27,0	Steel, rubber	12,0	12,0	12	750	10,0	17