

# K-HAND-SCHIEBEVENTIL

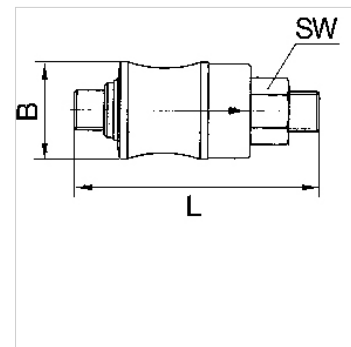
Manual slide valves

**HANSA FLEX**

## Omadused

Töörõhk max 10 baari

Töötemperatuur max. +70 °C



## Vihje

Lisaandmed saate soovi korral.

## Kirjeldus

For use on devices that have to be vented whenever they are turned off, either because of safety regulations or for technical reasons. The pneumatic devices are disconnected from the system and simultaneously vented each time they are shut off.

## Artikkel

Märgistus	Keere	B (mm)	L (mm)	SW (mm)
K- 07 30 15 92	G 1/8	21,0	67,0	14
K- 07 30 15 93	G 1/4	24,0	77,0	17
K- 07 30 15 94	G 3/8	31,0	87,0	22
K- 07 30 15 95	G 1/2	35,0	104,0	26