

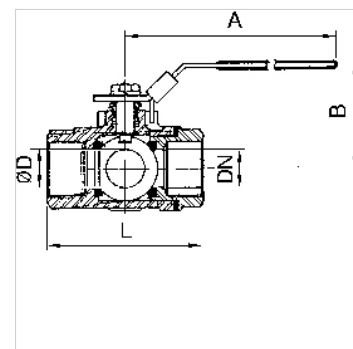
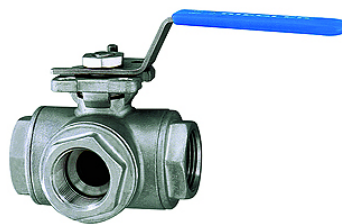
K-3 BKR T VA

3-way ball valves, T-bore

HANSA FLEX

Omadused

Töörõhk	max. 63 bar
Töötemperatuur	max. 160 °C
Puurimine	T-kujuline
Umbkaudsed väärtused	Up to 40 °C: 63 bar, 150 °C: 28 bar
Tihend	RTFE
Käsihoob	Stainless steel
Kuulkraan	Stainless steel 1.4408



Vihje

G thread acc. to DIN EN ISO 228-1, with ISO flange plate (acc. to ISO 5211)

Lisaandmed saate soovi korral.

Kirjeldus

With T-bore, reduced bore. Version for sealing on all sides with integrated ISO flange plate (ISO 5211). The lever can be turned 360° to allow several switching variants.

Tellimisinfo

For use on devices that have to be vented whenever they are turned off, either because of safety regulations or for technical reasons. The pneumatic devices are disconnected from the system and simultaneously vented each time they are shut off.

Artikkel

Märgistus	DN	Keere	A (mm)	B (mm)	L (mm)	Ø D (mm)
K- 07 30 15 10	15	G 1/2	114,0	73,0	80,0	12,5
K- 07 30 15 11	20	G 3/4	133,0	78,0	87,0	16,0
K- 07 30 15 12	25	G 1	133,0	83,0	100,0	20,0
K- 07 30 15 13	32	G 1 1/4	187,0	92,0	123,0	25,0
K- 07 30 15 14	40	G 1 1/2	187,0	98,0	142,0	31,8
K- 07 30 15 15	50	G 2	187,0	126,0	170,0	38,1