

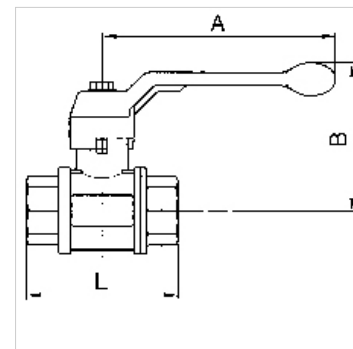
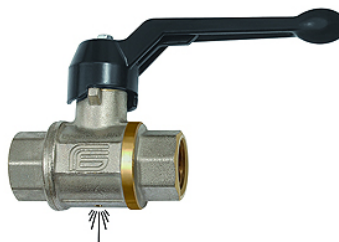
K-S-BKR M ENTL

Safety ball valves

HANSA FLEX

Omadused

Töötemperatuur	0 °C to +60 °C
Keeme kirjeldus	Rp thread acc. to ISO 7-1
Tihendusmaterjal	PTFE
Korpus, kuul, spindel, topendipuks	Nickel-plated brass
Käsihoob	Die-cast aluminium, black
Materjal	sealing: PTFE



Vihje

Lisaandmed saate soovi korral.

Kirjeldus

2/2-way brass safety ball valves. Specially designed for pneumatic applications. The ball valve shuts off the supply side and relieves the application into the atmosphere.

Artikkel

Märgistus	DN	Keere	A (mm)	B (mm)	L (mm)	max tööõhk 20 °C juures (bar)
K- 07 30 21 08	8	Rp 1/4	100,0	61,0	52,0	12
K- 07 30 21 09	10	Rp 3/8	100,0	61,0	55,0	12
K- 07 30 21 10	15	Rp 1/2	100,0	64,0	69,0	12
K- 07 30 21 11	20	Rp 3/4	120,0	76,0	77,0	12
K- 07 30 21 12	25	Rp 1	120,0	80,0	89,0	12
K- 07 30 21 13	32	Rp 1 1/4	150,0	98,0	103,0	12
K- 07 30 21 14	40	Rp 1 1/2	150,0	104,0	114,0	12
K- 07 30 21 15	50	Rp 2	175,0	119,0	134,0	12