

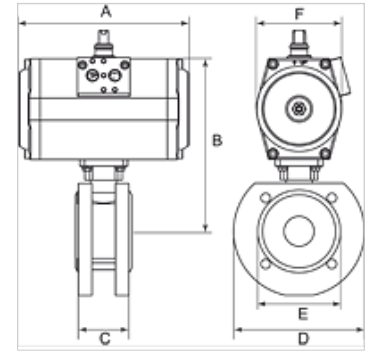
# K-BKR KOM

Ball valves (wafer type), with double-acting actuator

**HANSA FLEX**

## Omadused

<b>Tüüp</b>	Pneumatic actuators, in double- or single acting version, with integrated end-position feedback
<b>Töö rõhk</b>	DN 15 - DN 50: max. 40 bar; DN 65 - DN 100: max. 16 bar
<b>Töötemperatuur</b>	-20 °C to +70 °C
<b>Pöördnurk</b>	90 °
<b>Juhtimisrõhk</b>	5.5 bar
<b>Ventiili adapter</b>	Acc. to NAMUR
<b>Ajam</b>	aluminium eloxed
<b>Ajami tihend</b>	NBR
<b>Kuulkraan</b>	Stainless steel 1.4408, with ISO-flange plate
<b>Kuulkraani tihend</b>	PTFE



## Vihje

Lisaandmed saate soovi korral.

## Kirjeldus

2-way ball valves compact flange type, full bore

## Artikkel

Märgistus	DN	A (mm)	B (mm)	C (mm)	D (mm)	E (mm)	F (mm)
K- 07 30 02 76	15	116,0	125,0	40,0	95,0	45,0	61,5
K- 07 30 02 77	20	116,0	129,3	44,0	105,0	58,0	61,5
K- 07 30 02 78	25	133,0	138,6	53,0	115,0	68,0	68,5
K- 07 30 02 79	32	137,0	158,2	58,4	135,0	78,0	80,0
K- 07 30 02 80	40	161,0	176,3	62,0	145,0	88,0	92,5
K- 07 30 02 81	50	161,0	185,5	78,0	155,0	102,0	92,5
K- 07 30 02 82	65	180,0	205,0	100,0	185,0	122,0	92,5
K- 07 30 02 83	80	209,0	240,0	120,0	200,0	138,0	110,5
K- 07 30 02 75	100	221,0	272,0	152,0	220,0	158,0	120,0