

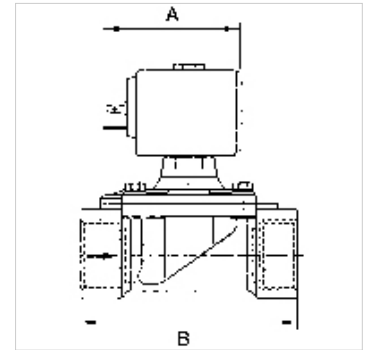
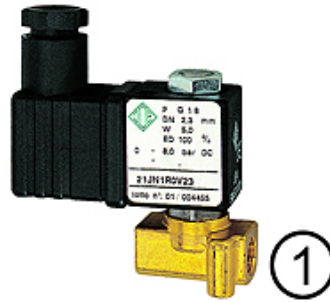
K-MV G D 230 V, 50 - 60 HZ 1

Normally closed, directly operated, 230 V, 50 to 60 Hz

HANSA FLEX

Omadused

| | |
|--------------------------|---|
| Elektriühendus | For connector socket Pg 9/Pg 11, acc. to ISO 4400 |
| Kaitse tüüp | IP65 (with connector socket fitted) |
| Aine temperatuur | -10 °C to +90 °C (NBR); -10 °C bis +140 °C (FKM) |
| Korpus, klapipesa | Brass |
| Sisedetail | Stainless steel |
| Tihend | Perbunan (NBR) or FKM |



Vihje

Lisaandmed saate soovi korral.

Kirjeldus

Economy series available in three different versions: Directly operated, Combined operation, Pilot-operated. For all applications with compressed air, neutral gases or low-viscosity, neutral media.

Artikkel

| Märgistus | Keere | maksimaalne tööõhk (bar) | NW | Tihendusmaterjal | A (mm) | B (mm) | Ehitustüüp |
|----------------|-------|--------------------------|-----|------------------|--------|--------|------------|
| K- 07 30 22 39 | G 1/8 | 18 | 2,3 | FKM | 41,0 | 30,0 | 1 |
| K- 07 30 22 40 | G 1/8 | 6 | 2,3 | FKM | 41,0 | 30,0 | 1 |
| K- 07 30 22 41 | G 1/8 | 14 | 2,5 | FKM | 54,0 | 40,0 | 2 |
| K- 07 30 22 42 | G 1/8 | 10 | 3,0 | FKM | 54,0 | 40,0 | 2 |
| K- 07 30 22 43 | G 1/4 | 14 | 2,5 | FKM | 54,0 | 40,0 | 2 |
| K- 07 30 22 44 | G 1/4 | 10 | 3,0 | FKM | 54,0 | 40,0 | 2 |
| K- 07 30 22 45 | G 1/4 | 5 | 4,5 | FKM | 54,0 | 40,0 | 2 |