

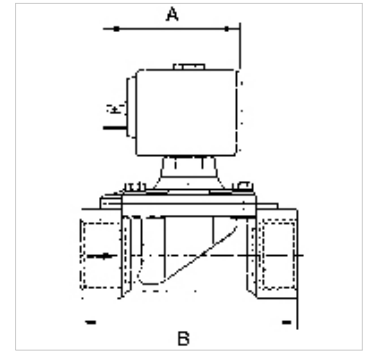
K-MV G V 230 V, 50 - 60 HZ 1

Normally closed, pilot-operated, 230 V, 50 to 60 Hz

HANSA FLEX

Omadused

Elektriühendus	For connector socket Pg 9/Pg 11, acc. to ISO 4400
Kaitse tüüp	IP65 (with connector socket fitted)
Aine temperatuur	-10 °C to +90 °C (NBR); -10 °C bis +140 °C (FKM)
Korpus, klapipesa	Brass
Sisedetail	Stainless steel
Tihend	Perbunan (NBR) or FKM



Vihje

Lisaandmed saate soovi korral.

Kirjeldus

Economy series available in three different versions: Directly operated, Combined operation, Pilot-operated. For all applications with compressed air, neutral gases or low-viscosity, neutral media.

Artikkel

Märgistus	Keere	maksimaalne tööõhk (bar)	min tööõhk (bar)	NW	Tihendusmaterjal	A (mm)	B (mm)	Ehitustüüp
K- 07 30 22 67	G 3/8	20	0,10	12,0	FKM	54,0	50,0	3
K- 07 30 22 68	G 3/8	20	0,10	12,0	NBR	54,0	50,0	3
K- 07 30 22 69	G 3/8	16	0,20	13,0	NBR	54,0	60,0	4
K- 07 30 22 70	G 3/8	16	0,20	13,0	FKM	54,0	60,0	4
K- 07 30 22 71	G 3/8	12	0,20	13,0	NBR	40,0	60,0	5
K- 07 30 22 72	G 3/8	12	0,20	13,0	FKM	40,0	60,0	5
K- 07 30 22 73	G 1/2	20	0,10	12,0	FKM	54,0	50,0	3
K- 07 30 22 74	G 1/2	20	0,10	12,0	NBR	54,0	50,0	3
K- 07 30 22 75	G 1/2	16	0,20	13,0	NBR	54,0	66,0	4
K- 07 30 22 76	G 1/2	16	0,20	13,0	FKM	54,0	66,0	4
K- 07 30 22 77	G 1/2	12	0,20	13,0	NBR	40,0	66,0	5
K- 07 30 22 78	G 1/2	12	0,20	13,0	FKM	40,0	66,0	5
K- 07 30 22 79	G 3/4	16	0,20	19,0	NBR	54,0	104,0	6
K- 07 30 22 80	G 1	16	0,20	25,0	NBR	54,0	104,0	6
K- 07 30 22 81	G 1 1/4	10	0,20	35,0	NBR	54,0	144,0	6
K- 07 30 22 82	G 1 1/2	10	0,20	40,0	NBR	54,0	144,0	6
K- 07 30 22 83	G 2	10	0,20	50,0	NBR	54,0	172,0	6