

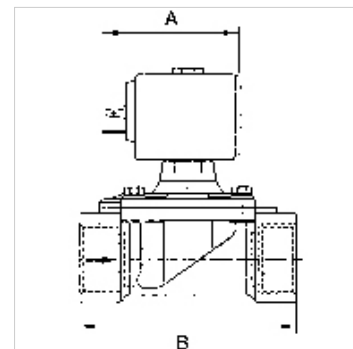
K-MV G V 24 V DC 1

Normally closed, pilot-operated, 24 V DC (direct current)

HANSA FLEX

Omadused

Elektriühendus	For connector socket Pg 9/Pg 11, acc. to ISO 4400
Kaitse tüüp	IP65 (with connector socket fitted)
Aine temperatuur	-10 °C to +90 °C (NBR); -10 °C bis +140 °C (FKM)
Korpus, klapipesa	Brass
Sisedetail	Stainless steel
Tihend	Perbunan (NBR) or FKM



Vihje

Lisaandmed saate soovi korral.

Kirjeldus

Economy series available in three different versions: Directly operated, Combined operation, Pilot-operated. For all applications with compressed air, neutral gases or low-viscosity, neutral media.

Artikkel

Märgistus	Keere	maksimaalne tööõhk (bar)	min tööõhk (bar)	NW	Tihendusmaterjal	A (mm)	B (mm)	Ehitustüüp
K- 07 30 23 36	G 3/8	10	0,10	12,0	FKM	54,0	50,0	3
K- 07 30 23 37	G 3/8	10	0,10	12,0	NBR	54,0	50,0	3
K- 07 30 23 38	G 3/8	16	0,20	13,0	NBR	54,0	60,0	4
K- 07 30 23 39	G 3/8	16	0,20	13,0	FKM	54,0	60,0	4
K- 07 30 23 40	G 3/8	12	0,20	13,0	NBR	40,0	60,0	5
K- 07 30 23 41	G 3/8	12	0,20	13,0	FKM	40,0	60,0	5
K- 07 30 23 42	G 1/2	10	0,10	12,0	FKM	54,0	50,0	3
K- 07 30 23 43	G 1/2	10	0,10	12,0	NBR	54,0	50,0	3
K- 07 30 23 44	G 1/2	16	0,20	13,0	NBR	54,0	66,0	4
K- 07 30 23 45	G 1/2	16	0,20	13,0	FKM	54,0	66,0	4
K- 07 30 23 46	G 1/2	12	0,20	13,0	NBR	40,0	66,0	5
K- 07 30 23 47	G 1/2	12	0,20	13,0	FKM	40,0	66,0	5
K- 07 30 23 48	G 3/4	16	0,20	19,0	NBR	54,0	104,0	6
K- 07 30 23 49	G 1	16	0,20	25,0	NBR	54,0	104,0	6
K- 07 30 23 50	G 1 1/4	10	0,20	35,0	NBR	54,0	144,0	6
K- 07 30 23 51	G 1 1/2	10	0,20	40,0	NBR	54,0	144,0	6
K- 07 30 23 52	G 2	10	0,20	50,0	NBR	54,0	172,0	6