

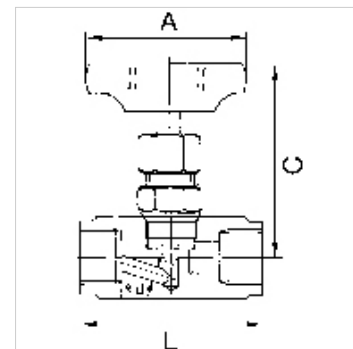
# K-NADELVENTILE VA

Needle valves

**HANSA FLEX**

## Omadused

<b>Töörõhk</b>	max. 400 bar (at 20 °C); max. 250 bar (at G 1 - 20 °C)
<b>Töötemperatuur</b>	-20 °C to +120 °C
<b>Tihendusmaterjal</b>	PTFE
<b>Korpus</b>	Stainless steel 1.4571
<b>Käsiratas</b>	Plastic
<b>Materjal</b>	sealing: PTFE



## Vihje

G thread acc. to DIN EN ISO 228-1, with ISO flange plate (acc. to ISO 5211)

Lisaandmed saate soovi korral.

## Tellimisinfo

For use on devices that have to be vented whenever they are turned off, either because of safety regulations or for technical reasons. The pneumatic devices are disconnected from the system and simultaneously vented each time they are shut off.

## Lisateave

Port sizes G 1 1/4, G 1 1/2 and G 2 available on request

## Artikkel

Märgistus	DN	Keere	A (mm)	C (mm)	L (mm)
K- 07 30 24 03	4	G 1/8	50,0	74,0	50,0
K- 07 30 24 04	5	G 1/4	50,0	73,0	50,0
K- 07 30 24 05	6	G 3/8	50,0	72,0	55,0
K- 07 30 24 06	8	G 1/2	63,0	83,0	60,0
K- 07 30 24 07	10	G 3/4	63,0	100,0	75,0
K- 07 30 24 08	12	G 1	80,0	110,0	100,0