

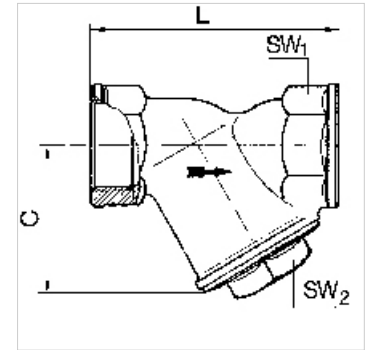
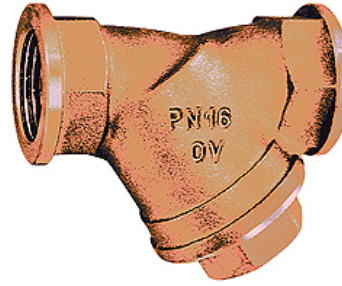
K-SCHMUTZFAENGER ROTGUSS

Strainers

HANSA FLEX

Omadused

Töörõhk	Max. 16 bar
Töötemperatuur	-15 °C to +150 °C
Sõel	Double stainless steel screen for fine filtration, mesh size 0.25 mm
Korpus	Bronze
Päis	Brass
Tihendid	FKM (FPM) O-ring



Vihje

Lisaandmed saate soovi korral.

Kirjeldus

For liquids, gases, steam, water, mineral, fuel and hydraulic oils, fuels and other non-corrosive media in a liquid or gaseous state.

Artikkel

Märgistus	DN	Keere	C (mm)	L (mm)	SW1 (mm)	SW2 (mm)
K- 07 30 25 08	8	G 1/4	34,0	56,0	21	17
K- 07 30 25 09	10	Rp 3/8	34,0	63,5	22	17
K- 07 30 25 10	15	Rp 1/2	42,0	66,5	27	22
K- 07 30 25 11	20	Rp 3/4	52,0	76,5	32	27
K- 07 30 25 12	25	G 1	61,0	90,0	38	32
K- 07 30 25 13	32	G 1 1/4	73,0	112,0	47	41
K- 07 30 25 14	40	G 1 1/2	82,0	120,0	54	46
K- 07 30 25 15	50	G 2	94,0	150,0	66	56