

# K-SCHALLDAE SINTERBR IG

Silencers, sintered bronze, flat type with female thread

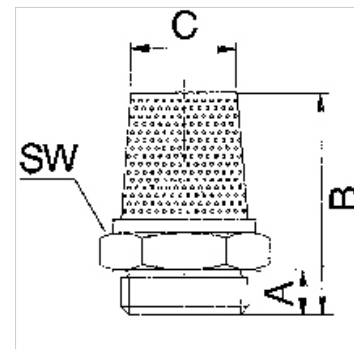
**HANSA FLEX**

## Omadused

Töörõhk max 10 baari

Töötemperatuur -10 °C to +250 °C

Tavaline G thread acc. to DIN EN ISO 228-1



## Vihje

Lisaandmed saate soovi korral.

## Kirjeldus

For reducing the exhaust noise generated by pneumatic equipment.

## Artikkel

| Märgistus      | Keere | B<br>(mm) | C<br>(mm) | SW    |
|----------------|-------|-----------|-----------|-------|
| K- 07 40 34 98 | M 5   | 8,0       | 5,0       | 8 mm  |
| K- 07 40 34 99 | G 1/8 | 10,0      | 9,0       | 13 mm |
| K- 07 40 35 00 | G 1/4 | 11,0      | 11,0      | 16 mm |
| K- 07 40 35 01 | G 3/8 | 12,0      | 15,0      | 19 mm |
| K- 07 40 35 02 | G 1/2 | 13,0      | 20,0      | 24 mm |
| K- 07 40 46 88 | G 3/4 | 18,0      | 28,0      | 32 mm |
| K- 07 40 46 89 | G 1   | 22,0      | 37,0      | 41 mm |