

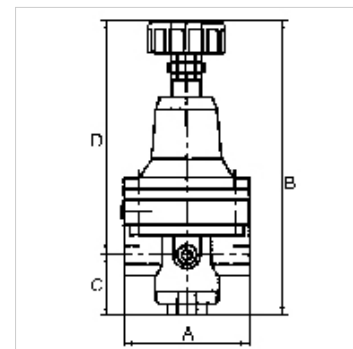
# K-PRAEZI DRUCKREGLER SELU

Precision pressure regulators

**HANSA FLEX**

## Omadused

Sisendrõhk	Max. 16 bar
Aine temperatuur	max. 60 °C
Keskonnatemperatuur	Max. 60 °C
Vahendid	Micro-filtered, unoiled compressed air (0.01 µm)
Manomeetri ühendus	G 1/4
Õhutusühendus	G 3/8 (for mounting a silencer)
Tihendusmaterjal	NBR
Korpus	Die-cast zinc
Sisemine õhutarve	1.5 - 6 l/min, depending on input pressure and control range



## Vihje

The given flow rates are based on the following parameters: 1200 l/min: P1: 5 bar, P2: 3 bar,  $\Delta p \leq 0.1$  bar

1400 l/min: P1: 7 bar, P2: 5 bar,  $\Delta p \leq 0.1$  bar

1500 l/min: P1: 10 bar, P2: 7 bar,  $\Delta p \leq 0.1$  bar. Wear parts kit not supplied! Pressure regulator may only be opened in the factory!

Lisaandmed saate soovi korral.

## Kirjeldus

With high flow rate and large secondary relief port. Diaphragm pressure regulators with large secondary relief port for applications requiring an extremely accurate working pressure, especially at high flow rates.

## Lisateave

on Art. K-07250721: Max. inlet pressure 300 bar. Other cylinder pressure regulators available on request.

1500 l/min: P1: 10 bar, P2: 7 bar,  $\Delta p \leq 0.1$  bar.

## Artikkel

Märgistus	Keere	Reguleerimisvahemik	Läbivool (L/min)	A (mm)	C (mm)	D (mm)
K- 07 25 09 28	G 1/4	0.05 - 3 bar	700	82,0	43,5	159,0
K- 07 25 09 29	G 1/4	0.05 - 7 bar	1500	82,0	43,5	159,0
K- 07 25 09 30	G 3/8	0.05 - 3 bar	3000	82,0	43,5	159,0
K- 07 25 09 31	G 3/8	0.05 - 7 bar	5500	82,0	43,5	159,0
K- 07 25 09 32	G 1/2	0.05 - 3 bar	3000	82,0	43,5	159,0
K- 07 25 09 33	G 1/2	0.05 - 5 bar	4500	82,0	43,5	159,0
K- 07 25 09 34	G 1/2	0.05 - 7 bar	5500	82,0	43,5	159,0

## Varuosad

K-HALTERBAUSATZ STANDARD	Holder
K-KM MS	Hexagonal lock nuts, brass
K-SCHALLDAEPFER VYON	Vyon silencers
K-FILTERELEMENT	Filter element
K-XV AGM 2	Double nipples, parallel male thread