

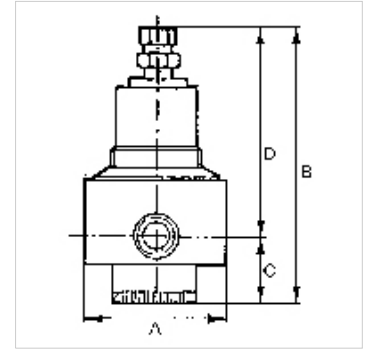
# K-DRG RUECKSTERERBAR M MANO VA

Reversible, stainless steel pressure regulators with self-relieving design, stainless steel pressure gauge

**HANSA FLEX**

## Omadused

|                                    |  |
|------------------------------------|--|
| <b>Sisendrõhk</b>                  | Max. 30 bar (Control range 0.5 - 8.0 bar),<br>Max. 50 bar (Control range 1.0 - 15.0 bar) |
| <b>Aine temperatuur</b>            | max. 80 °C   |
| <b>Keskonnatemperatuur</b>         | Max. 80 °C   |
| <b>Tihendusmaterjal</b>            | FKM  |
| <b>Membran</b>                     | PTFE   |
| <b>Materjal</b>                    | stainless steel 1.4404 (AISI 316L)   |
| <b>Läbivoolu väärtuse mõõtmine</b> | At P1 = 8 bar, P2 = 6 bar and pressure drop<br>$\Delta p \leq 1$ bar                     |



## Vihje

Lisaandmed saate soovi korral.

## Kirjeldus

Stainless steel regulators containing no non-ferrous metals for use in the food processing, chemical, mining, plant construction and special machinery industries as well as in the medical technology.

## Tellimisinfo

NPT thread available on request

## Artikkel

| Märgistus      | Keere | Reguleerimisvahemik | Läbivool (L/min) | A (mm) | B        | C (mm) | D (mm) |
|----------------|-------|---------------------|------------------|--------|----------|--------|--------|
| K- 07 25 02 06 | G 1/4 | 0.5 - 8.0 bar       | 200              | 65,0   | 162,0 mm | 37,0   | 125,0  |
| K- 07 25 02 07 | G 1/4 | 1.0 - 15.0 bar      | 330              | 65,0   | 162,0 mm | 37,0   | 125,0  |
| K- 07 25 02 04 | G 1/2 | 0.5 - 8.0 bar       | 660              | 80,0   | 164,0 mm | 37,0   | 127,0  |
| K- 07 25 02 05 | G 1/2 | 1.0 - 15.0 bar      | 1800             | 80,0   | 164,0 mm | 37,0   | 127,0  |

## Varuosad

|                                  |  |
|----------------------------------|--|
| <b>K-HALTERBAUSATZ EDELSTAHL</b> | Holder   |
| <b>K-MANO</b>                    | Pressure gauges (CrNi steel type / connection on rear) |
| <b>K-VERSCHLEI-SATZ</b>          | Set of wearing parts                                   |