

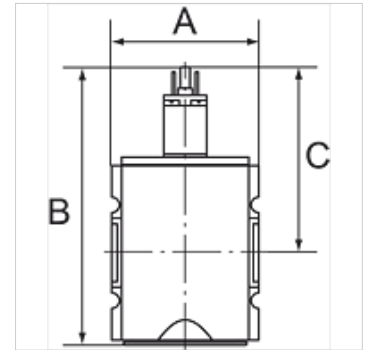
K-WV 3/2 ELK 24 VDC HANSA

3/2-way valves, electrically operated, with 24 VDC / 2.5 W solenoid

HANSA FLEX

Omadused

Sisendrõhk	2 - 10 bar
Temperatuuri ulatus	-10 °C to +50 °C
Vahendid	Suruõhk
Vahelduvpinge pingutusvõimsus 50Hz	2,2 VA
Sisselülituse kestvus	ED 100 %
Elektriühendus	Connector type C, ISO 15217, 2 poles + PE
Võimsus 50 Hz vahelduvpingel	1,6 VA
Võimsustarve DC	2,5 W
Kaitse tüüp	IP 65
Ühenduskeere	Material: Die-cast zinc
Korpus	Material: Grivory® (PA 66)
Läbivoolu väärtuse mõõtmise	At P2 = 6 bar, pressure drop $\Delta p = 1$ bar



Vihje

Lisaandmed saate soovi korral.

Kirjeldus

Pneumatic systems or parts of systems can be switched on and off by means of an electrical signal. When they are switched off, the system is exhausted at the same time.

Tellimisinfo

Valves are also available with coil 110 V AC, 50 Hz and in a pneumatically operated version. Please ask for more information.

Artikkel

Märgistus	Keere	Väljund	Läbivool (L/min)	A (mm)	B	C (mm)
K- 07 25 11 05	G 1/4	1/4	2000	52,0	117,8 mm	84,8
K- 07 25 11 06	G 3/8	1/4	2000	52,0	117,8 mm	84,8
K- 07 25 11 31	G 3/8	1/2	4500	63,0	150,3 mm	93,8
K- 07 25 11 32	G 1/2	1/2	4500	63,0	150,3 mm	93,8
K- 07 25 11 37	G 3/4	1/2	12500	85,0	177,7 mm	110,7
K- 07 25 11 38	G 1	1/2	12500	85,0	177,7 mm	110,7

Lisatarvikud

K-SCHALLDAE SINTERBR S	Silencers, sintered bronze, slotted
K-SCHALLDAE SINTERBR GE MS1	Silencers, sintered bronze, with brass hexagon nut and brass thread

Varuosad

K-HALTERBAUSATZ HANSA	Holder HANSA
K-VORSTEUERVENTIL HANSA	Replacement solenoid HANSA
K-GERAETESTECKER FORM C	Connector