

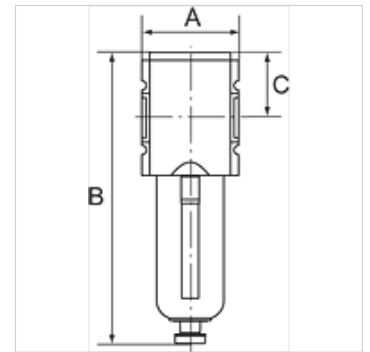
K-FI AK KOH PC-BEHAE SCHUTZK HANSA

Activated carbon filters

HANSA FLEX

Omadused

Sisendrõhk	0 - 16 bar
Temperatuuri ulatus	-10 °C to +50 °C
Vahendid	Suruõhk
Ühenduskeere	Material: Die-cast zinc
Mahuti	Polycarbonate (with bayonet lock)
Filterelement	Activated carbon
Korpus	Material: Grivory® (PA 66)
Kaitsekorp	Polyamide
Jääkõli sisaldus	0,005 mg/m ³ , class 0 acc. to DIN ISO 8573-1
Läbivoolu väärtuse mõõtmine	At P ₂ = 6 bar and pressure drop $\Delta p = 0.5$ bar



Vihje

Lisaandmed saate soovi korral.

Kirjeldus

Activated carbon filters in modern design for compliance with strict compressed air purity requirements. Activated carbon filters are used to absorb oil vapour up to a residual oil content of 0.005 mg/m³ from compressed air and gases.

Artikkel

Märgistus	Keere	Läbivool (L/min)	A (mm)	B	C (mm)
K- 07 25 10 41	G 1/4	500	52,0	157,0 mm	34,0
K- 07 25 10 42	G 3/8	500	52,0	157,0 mm	34,0
K- 07 25 10 43	G 3/8	1600	63,0	183,0 mm	42,5
K- 07 25 10 44	G 1/2	1600	63,0	183,0 mm	42,5
K- 07 25 10 23	G 3/4	3000	85,0	240,5 mm	58,0
K- 07 25 10 24	G 1	3000	85,0	240,5 mm	58,0

Varuosad

K-HALTERBAUSATZ HANSA	Holder HANSA
K-ERSATZBEHAELTER HANSA POLY	Spare tank HANSA polycarbonat