

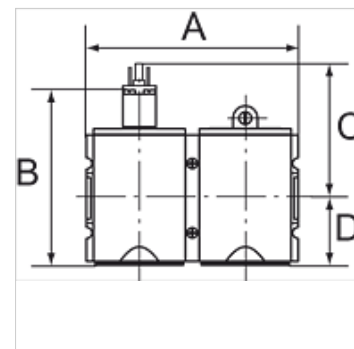
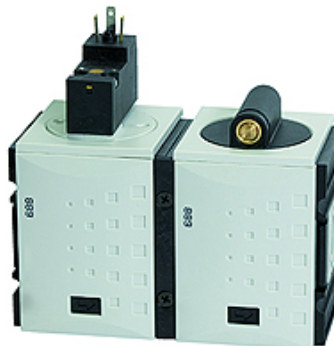
K-BEFUELLEINHEIT 24VDC HANSA

Filling units, electrically operated, with 24 VDC / 2.5 W solenoid, adjustable filling time

HANSA FLEX

Omadused

Sisendrõhk	2 - 10 bar
Temperatuuri ulatus	-10 °C to +50 °C
Vahendid	Suruõhk
Vahelduvpinge pingutusvõimsus 50Hz	2,2 VA
Sisselülituse kestvus	ED 100 %
Elektriühendus	Connector type C, ISO 15217, 2 poles + PE
Võimsus 50 Hz vahelduvpingel	1,6 VA
Võimsustarve DC	2,5 W
Kaitse tüüp	IP 65
Ühenduskeere	Material: Die-cast zinc
Korpus	Material: Grivory® (PA 66)
Läbivoolu väärtuse mõõtmine	At P2 = 6 bar, pressure drop $\Delta p = 1$ bar



Vihje

Lisaandmed saate soovi korral.

Kirjeldus

The filling unit protects devices connected downstream by ensuring a gradual build-up of pressure. The unit consists of a 3/2-way valve and a filling valve (start-up valve). It is connected and disconnected by means of the 3/2-way valve. The filling time can be altered by turning the adjusting screw.

Tellimisinfo

Filling units are also available with coil 110 V AC, 50 Hz and in a pneumatically operated version. Please ask for more information.

Artikkel

Märgistus	Keere	Väljund	Läbivool (L/min)	A (mm)	B	C (mm)	D (mm)
K- 07 25 10 99	G 1/4	1/4	1300	104,0	117,8 mm	84,8	33,0
K- 07 25 11 00	G 3/8	1/4	1300	104,0	117,8 mm	84,8	33,0
K- 07 25 11 25	G 3/8	1/2	3400	126,0	150,3 mm	93,8	56,5
K- 07 25 11 26	G 1/2	1/2	3400	126,0	150,3 mm	93,8	56,5
K- 07 25 11 47	G 3/4	1/2	8750	170,0	177,7 mm	110,7	67,0
K- 07 25 11 48	G 1	1/2	8750	170,0	177,7 mm	110,7	67,0

Lisatarvikud

K-SCHALLDAE SINTERBR S	Silencers, sintered bronze, slotted
K-SCHALLDAE SINTERBR GE MS1	Silencers, sintered bronze, with brass hexagon nut and brass thread

Varuosad

K-HALTERBAUSATZ HANSA	Holder HANSA
K-VORSTEUERVENTIL HANSA	Replacement solenoid HANSA
K-GERAETESTECKER FORM C	Connector