

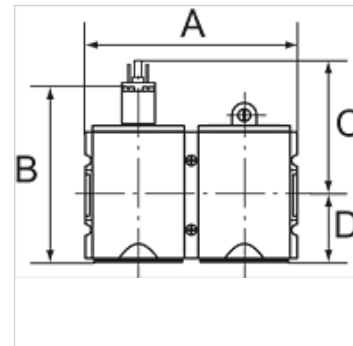
# K-BEFUELLEINHEIT 230V AC HANSA

Filling units, electrically operated, with 230 VAC / 50 Hz solenoid, adjustable filling time

**HANSA FLEX**

## Omadused

|                                    |   |
|------------------------------------|---|
| Sisendrõhk                         | 2 - 10 bar                                      |
| Temperatuuri ulatus                | -10 °C to +50 °C                                |
| Vahendid                           | Suruõhk   |
| Vahelduvpinge pingutusvõimsus 50Hz | 2,2 VA  |
| Sisselülituse kestvus              | ED 100 %  |
| Elektriühendus                     | Connector type C, ISO 15217, 2 poles + PE       |
| Võimsus 50 Hz vahelduvpingel       | 1,6 VA  |
| Võimsustarve DC                    | 2,5 W   |
| Kaitse tüüp                        | IP 65   |
| Ühenduskeere                       | Material: Die-cast zinc                         |
| Korpus                             | Material: Grivory® (PA 66)                      |
| Läbivoolu väärtuse mõõtmine        | At P2 = 6 bar, pressure drop $\Delta p = 1$ bar |



## Vihje

Lisaandmed saate soovi korral.

## Kirjeldus

The filling unit protects devices connected downstream by ensuring a gradual build-up of pressure. The unit consists of a 3/2-way valve and a filling valve (start-up valve). It is connected and disconnected by means of the 3/2-way valve. The filling time can be altered by turning the adjusting screw.

## Tellimisinfo

Filling units are also available with coil 110 V AC, 50 Hz and in a pneumatically operated version. Please ask for more information.

## Artikkel

| Märgistus      | Keere | Väljund | Läbivool (L/min) | A (mm) | B        | C (mm) | D (mm) |
|----------------|-------|---------|------------------|--------|----------|--------|--------|
| K- 07 25 11 03 | G 1/4 | 1/4     | 1300             | 104,0  | 117,8 mm | 84,8   | 33,0   |
| K- 07 25 11 04 | G 3/8 | 1/4     | 1300             | 104,0  | 117,8 mm | 84,8   | 33,0   |
| K- 07 25 11 29 | G 3/8 | 1/2     | 3400             | 126,0  | 150,3 mm | 93,8   | 56,5   |
| K- 07 25 11 30 | G 1/2 | 1/2     | 3400             | 126,0  | 150,3 mm | 93,8   | 56,5   |
| K- 07 25 11 51 | G 3/4 | 1/2     | 8750             | 170,0  | 177,7 mm | 110,7  | 67,0   |
| K- 07 25 11 52 | G 1   | 1/2     | 8750             | 170,0  | 177,7 mm | 110,7  | 67,0   |

## Lisatarvikud

|                             |   |
|-----------------------------|---|
| K-SCHALLDAE SINTERBR S      | Silencers, sintered bronze, slotted                                 |
| K-SCHALLDAE SINTERBR GE MS1 | Silencers, sintered bronze, with brass hexagon nut and brass thread |

## Varuosad

|                         |                            |
|-------------------------|----------------------------|
| K-HALTERBAUSATZ HANSA   | Holder HANSA               |
| K-VORSTEUERVENTIL HANSA | Replacement solenoid HANSA |
| K-GERAETESTECKER FORM C | Connector                  |