

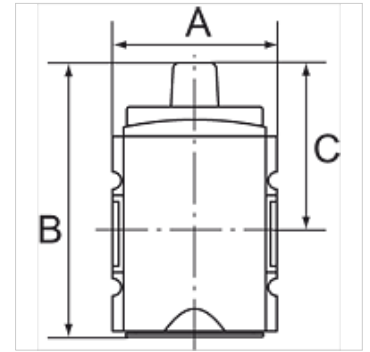
# K-3/2-BKR HANSA

Ball valves

**HANSA FLEX**

## Omadused

Sisendrõhk	0 - 16 bar
Temperatuuri ulatus	-10 °C to +50 °C
Vahendid	Suruõhk
Ühenduskeere	Material: Die-cast zinc
Korpus	Material: Grivory® (PA 66)
Läbivoolu väärtuse mõõtmine	At P2 = 6 bar, pressure drop $\Delta p = 1$ bar



## Vihje

Lisaandmed saate soovi korral.

## Kirjeldus

Closable ball valve in 3/2-way design, mechanically actuated. Toggle 90° rotatable and with switch position indicator: Traverse: Inlet port blocked - outlet port exhausted

Longitudinal: Inlet port and outlet port connected - exhaust blocked. Exhaust air can be collected.

## Lisateave

The price does not include a padlock. Please order separately.

## Artikkel

Märgistus	Keere	Väljund	Läbivool (L/min)	A (mm)	B	C (mm)
K- 07 25 11 23	G 1/4	1/4	1900	52,0	87,5 mm	54,5
K- 07 25 11 24	G 3/8	1/4	1900	52,0	87,5 mm	54,5
K- 07 25 11 43	G 3/8	1/2	11000	63,0	127,0 mm	70,5
K- 07 25 11 44	G 1/2	1/2	11000	63,0	127,0 mm	70,5
K- 07 25 11 45	G 3/4	3/4	25000	85,0	144,7 mm	93,7
K- 07 25 11 46	G 1	3/4	25000	85,0	144,7 mm	93,7

## Lisatarvikud

K-VORHAENGESCHLOSS Padlock

## Varuosad

K-HALTERBAUSATZ HANSA Holder HANSA