

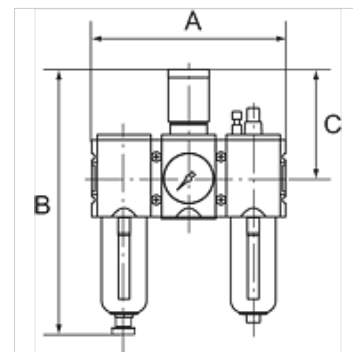
K-WTEH 3-TLG PC SCH MANO HANSA

Service units, 3-piece with polycarbonate bowl, bowl guard and pressure gauge

HANSA FLEX

Omadused

| | |
|-----------------------------|---|
| Sisendrõhk | 1.5 - 16 bar |
| Väljundrõhk | 0.5 - 8 bar |
| Temperatuuri ulatus | -10 °C to +50 °C |
| Vahendid | Suruõhk |
| Filtri peensus | 5,00 µm |
| Ühenduskeere | Material: Die-cast zinc |
| Mahuti | Polycarbonate (with bayonet lock) |
| Filterelement | Cellpor (PE) |
| Korpus | Material: Grivory® (PA 66) |
| Membraan | NBR |
| Kaitsekorb | Polyamide |
| Tilgapüüdur | PA |
| Sisemine õhutarve | Max. 1.5 l/min (depending on secondary pressure) |
| Läbivoolu väärtuse mõõtmine | At P1 = 10 bar, P2 = 6.3 bar and pressure drop $\Delta p = 1$ bar |



Vihje

Lisaandmed saate soovi korral.

Kirjeldus

Two or three-piece service units with excellent flow rates in modern design.
Lockable diaphragm pressure regulator with secondary ventilation, oil can be filled without interrupting operation.

Tellimisinfo

The price does not include a key lock. Please order separately.

Artikkel

| Märgistus | Keere | Läbivool (L/min) | A (mm) | B | C (mm) | Kondensaadi väljalaskeava |
|----------------|-------|------------------|--------|----------|--------|---------------------------|
| K- 07 25 14 37 | G 1/4 | 1500 | 156,0 | 225,0 mm | 95,5 | Semi |
| K- 07 25 14 38 | G 3/8 | 1500 | 156,0 | 225,0 mm | 95,5 | Semi |
| K- 07 25 14 39 | G 3/8 | 3500 | 189,0 | 257,0 mm | 110,0 | Semi |
| K- 07 25 14 40 | G 1/2 | 3500 | 189,0 | 257,0 mm | 110,0 | Semi |
| K- 07 25 14 41 | G 3/4 | 12000 | 255,0 | 329,0 mm | 137,0 | Semi |
| K- 07 25 14 42 | G 1 | 12000 | 255,0 | 329,0 mm | 137,0 | Semi |
| K- 07 25 14 43 | G 1/4 | 1500 | 156,0 | 243,0 mm | 95,5 | Auto |
| K- 07 25 14 44 | G 3/8 | 1500 | 156,0 | 243,0 mm | 95,5 | Auto |
| K- 07 25 14 45 | G 3/8 | 3500 | 189,0 | 274,0 mm | 110,0 | Auto |
| K- 07 25 14 46 | G 1/2 | 3500 | 189,0 | 274,0 mm | 110,0 | Auto |
| K- 07 25 14 47 | G 3/4 | 12000 | 255,0 | 343,0 mm | 137,0 | Auto |
| K- 07 25 14 48 | G 1 | 12000 | 255,0 | 343,0 mm | 137,0 | Auto |

Lisatarvikud

K-STECKSCHLOSS Key lock

Varuosad

| | |
|------------------------------|-------------------------------|
| K-HALTERBAUSATZ HANSA | Holder HANSA |
| K-ERSATZBEHAELTER HANSA POLY | Spare tank HANSA polycarbonat |
| K-FILTERELEMENT | Filter element |
| K-TROPFAUFSATZ HANSA | Drip attachment HANSA |
| K-SCHALTTAFELMÜTTER HANSA | Nut HANSA |
| K-DICHTSATZ HANSA | Set of seals HANSA |