

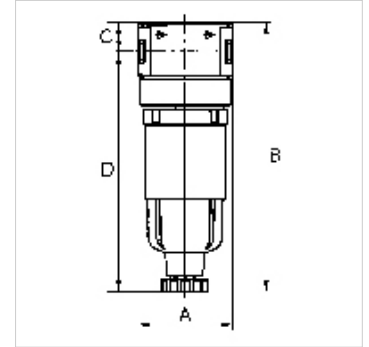
# K-FI METALLBEHAEL H ALV MULTIFIX MI

Filters with metal bowl and semi-automatic drain valve

**HANSA FLEX**

## Omadused

Sisendrõhk	Max. 16 bar (polycarbonate bowl), Max. 20 bar (metal bowl)
Aine temperatuur	max. 60 °C
Keskonnatemperatuur	Max. 60 °C
Läbivool	1000 l/min
Filterelemendi pooride suurus	5 µm
Korpus	Die-cast zinc
Drain valve	Semi-automatic
Läbivoolu väärtuse mõõtmine	At P2 = 6 bar and pressure drop $\Delta p = 1$ bar



## Vihje

If several devices in the »multifix-mini« Series are assembled together, the maximum working pressure is 12 bar.

Lisaandmed saate soovi korral.

## Kirjeldus

Centrifugal separators with a sintered filter element.

## Artikkel

Märgistus	Keere	A (mm)	B	C (mm)	D (mm)	DN	Ehitussuurus
K- 07 25 00 43	G 1/8	40,0	111,6 mm	12,3	99,3	5	0
K- 07 25 00 45	G 1/4	40,0	111,6 mm	12,3	99,3	5	0

## Varuosad

K-AUTOMAT ABLASSVENTIL	Automatic drain valve
K-KOPPELPAKET MEHR	Coupling packet
K-ERSATZBEHAELTER MULTI MINI	Spare tank »multifix-mini« & »standard-mini«
K-PC-BEHAELTER FILTER MULTIFIX	Polycarbonate tank filter
K-FILTERELEMENT	Filter element