

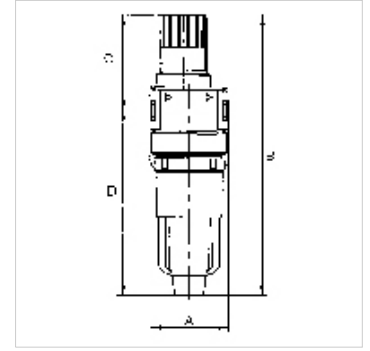
# K-NEBELOELER PC-BEHÄLTER MULTIFIX MIN

Oil-mist lubricators with polycarbonate bowl

**HANSA FLEX**

## Omadused

<b>Sisendrõhk</b>	Max. 16 bar (polycarbonate bowl), Max. 20 bar (metal bowl)
<b>Aine temperatuur</b>	max. 60 °C
<b>Keskonnatemperatuur</b>	Max. 60 °C
<b>Läbivool</b>	1000 l/min
<b>Tihendusmaterjal</b>	NBR
<b>Korpus</b>	Die-cast zinc
<b>Tilgapüüdur</b>	PA (polycarbonate bowl), Zinc-glass-NBR (metal bowl)
<b>Õlisort</b>	CL 32 acc. to DIN 51517 - ISO VG 32
<b>Läbivoolu väärtuse mõõtmine</b>	At P2 = 6 bar and pressure drop $\Delta p = 1$ bar



## Vihje

If several devices in the »multifix-mini« Series are assembled together, the maximum working pressure is 12 bar.  
Lisaandmed saate soovi korral.

## Kirjeldus

Micro-lubricators, oil can be filled under pressure.

## Artikkel

Märgistus	Keere	A (mm)	B	C (mm)	D (mm)	DN	Ehitussuurus
K- 07 25 00 87	G 1/8	40,0	145,1 mm	49,6	95,5	5	0
K- 07 25 00 89	G 1/4	40,0	145,1 mm	49,6	95,5	5	0

## Varuosad

<b>K-AUTOMAT ABLASSVENTIL</b>	Automatic drain valve
<b>K-KOPPELPAKET MEHR</b>	Coupling packet
<b>K-ERSATZBEHÄLTER MULTI MINI</b>	Spare tank »multifix-mini« & »standard-mini«
<b>K-TROPFAUFSATZ POLYCARBO 1</b>	Drip attachment polycarbonate
<b>K-TROPFAUFSATZ METALL</b>	Drip attachment metal