

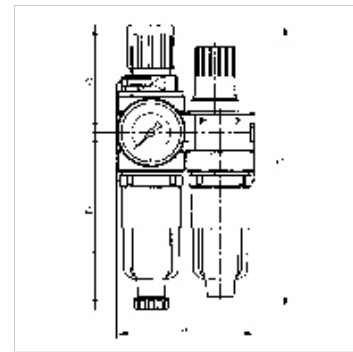
K-WTEH 2-TLG MET TROPF MULTIFIX MIN

Service units, 2-piece with metal bowl and metal sight dome

HANSA FLEX

Omadused

| | |
|-------------------------------|---|
| Sisendrõhk | Max. 12 bar (also for metal tank!) |
| Aine temperatuur | max. 60 °C |
| Keskonnatemperatuur | Max. 60 °C |
| Filterelemendi pooride suurus | 5 µm |
| Tihendusmaterjal | NBR |
| Vedrukate | POM-brass |
| Korpus | Die-cast zinc |
| Tilgapüüdur | PA (polycarbonate bowl), Zinc-glass-NBR (metal bowl) |
| Drain valve | Semi-automatic |
| Läbivoolu väärtuse mõõtmise | At P1 = 8 bar, P2 = 6 bar and pressure drop $\Delta p = 1$ bar |



Vihje

Lisaandmed saate soovi korral.

Kirjeldus

Two or three-piece service units consisting of a diaphragm pressure regulator, independent of inlet pressure, with self-relieving design, combined with a centrifugal separator and a proportional lubricator.

Tellimisinfo

Lockable service units available on request. If several devices in the »multifix-mini« Series are assembled together, the maximum working pressure is 12 bar.

Artikkel

| Märgistus | Keere | Reguleerimisvahemik | Läbivool (L/min) | A (mm) | B | C (mm) | D (mm) | DN | Ehitussuurus |
|----------------|-------|---------------------|------------------|--------|----------|--------|--------|----|--------------|
| K- 07 25 01 26 | G 1/8 | 0.5 - 10 bar | 700 | 80,0 | 162,0 mm | 63,0 | 99,0 | 5 | 0 |
| K- 07 25 01 28 | G 1/4 | 0.5 - 10 bar | 700 | 80,0 | 162,0 mm | 63,0 | 99,0 | 5 | 0 |

Varuosad

| | |
|--------------------------------|--|
| K-HALTERBAUSATZ | Holder |
| K-AUTOMAT ABLASSVENTIL | Automatic drain valve |
| K-SCHALTTAFELMUTTER | Nut |
| K-KOPPELPAKET MEHR | Coupling packet |
| K-PC-BEHAELTER FILTER MULTIFIX | Polycarbonate tank filter |
| K-ERSATZBEHAELTER MULTI MINI | Spare tank »multifix-mini« & »standard-mini« |
| K-FILTERELEMENT | Filter element |
| K-VERSCHLEI-SATZ | Set of wearing parts |
| K-TROPFAUFSATZ POLYCARBO 1 | Drip attachment polycarbonate |
| K-TROPFAUFSATZ METALL | Drip attachment metal |